

LSZTP Series

EXPLOSION PROOF EXIT SIGN BATTERY BACKUP

SPECIFICATIONS

VOLTAGE: 100-277VAC

WATTAGE: 5W (Standard), 3W

LED EXIT

SIGN COLORS: Red (Standard), Green

OPERATING TEMP: - 40°F to 140°F (-40°C to 60°C)

BATTERY HOUSING: Die-cast A356T6

Aluminum(Copper-free) Baked-on gray epoxy finish

SIGN PANEL: Tempered Glass (with dual chevrons STD)
(consult factory for alternate configurations)

HARDWARE: Stainless Steel

CRI: >70

EMERGENCY MODE: 3 Hours

MOUNTING: Wall and pendant mounting standard. 3/4"

NPT hubs provided for conduit feed

PROTECTION: IP66 & IK10/IK08

WARRANTY: 5 Year Limited Warranty

CERTIFICATIONS

• Class I, Division 1 • UL844 - Hazardous Locations
Groups B, C, D • UL924 - Emergency Lighting

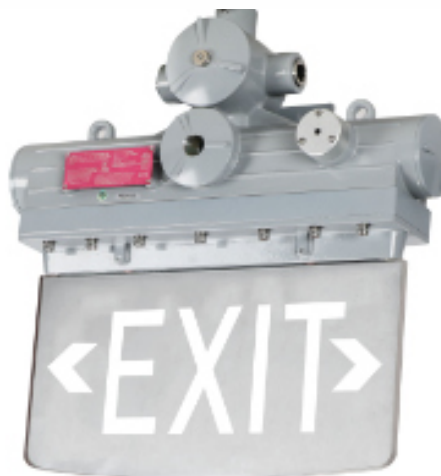
• Class I, Division 2

Groups A, B, C, D

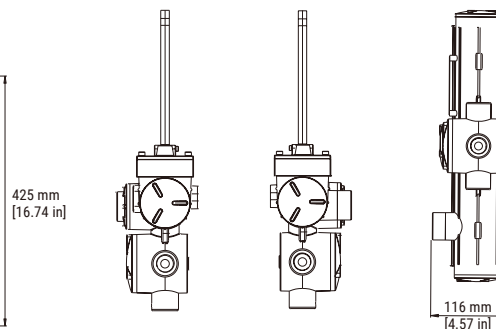
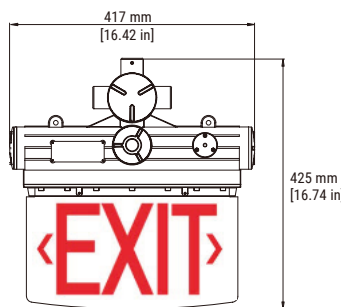
• Class II, Division 2

Groups F, G

• Class III



DIMENSIONS



WEIGHT: 13.2 lbs (6 kg)

ORDERING INFORMATION

ORDERING GUIDE

Series	Wattage	LED Color	Panel Face	Voltage	Chevrons	Options
LSZTP	3 = 3W 5 = 5W (Standard)	RD = Red (Standard) GN = Green	SF = Single Face (Clear) DF = Double Face (White)	LV = 100-277V	DA = Double Arrow LA = Arrow Left RA = Arrow Right RL = Right/Left Arrow <i>Double-faced Only</i> NA = No Arrow	WM = Wall Arm Mount PNT = Pendant Mount CS = Custom Wording

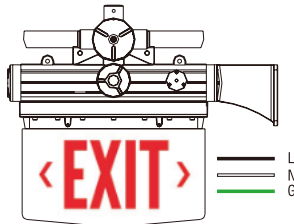
* Mounting options please refer to the accessories at the bottom of page 2

REPLACEMENT PANELS

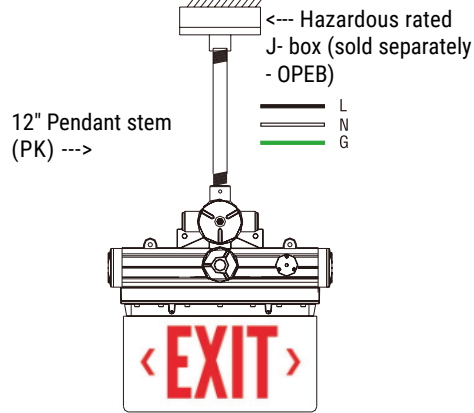
Series	Panel Face	Chevrons
LSZTP	SF = Single Face (Clear) DF = Double Face (White)	DA = Double Arrow LA = Arrow Left RA = Arrow Right RL = Right/Left Arrow <i>Double-faced Only</i> NA = No Arrow

MOUNTING

Surface/Wall mount Bracket
STANDARD MOUNT

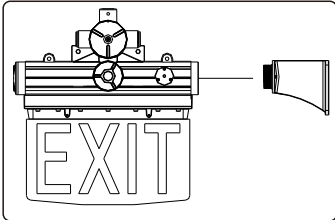


Pendant Mount

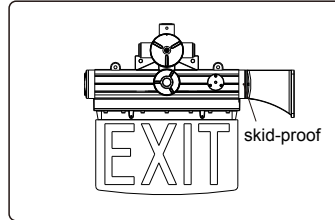


MOUNTING INSTRUCTIONS

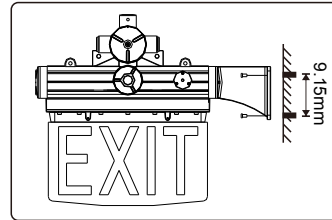
Wall Mounting with Arm



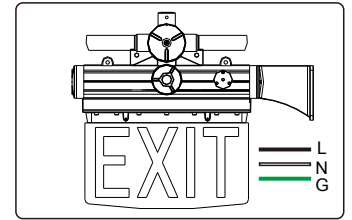
1. Tighten the arm to the fixture.



2. Tighten the screw of skid-proof.

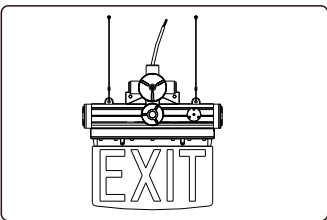


3. Drill 2 holes(Ø10mm) for arm.

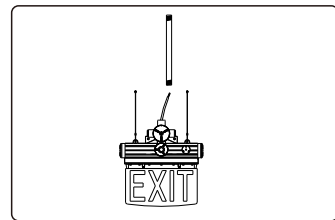


4. Wiring the cable as white to L, black to N, green to G.

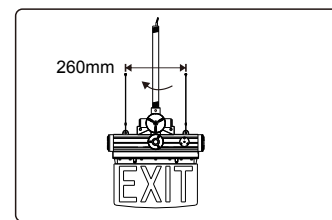
Pendant Mounting



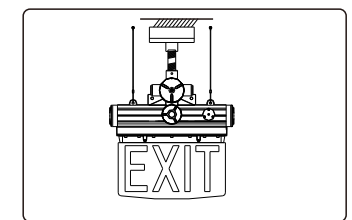
1. Tighten the arm to the fixture.



2. Install the cable through the pole.



3. Drill 2× holes(Ø10mm) for metal wires and tighten the screw of skid-proof.



4. Install the junction box. Wiring the cable as white to N, black to L, green to G.