

# LSXSTR

## TRITIUM EXIT SIGN

### SPECIFICATIONS

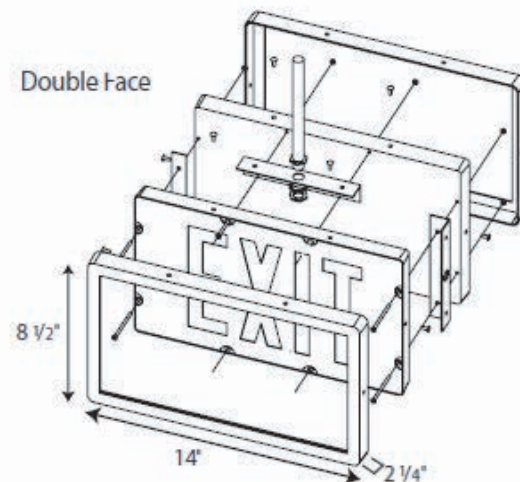
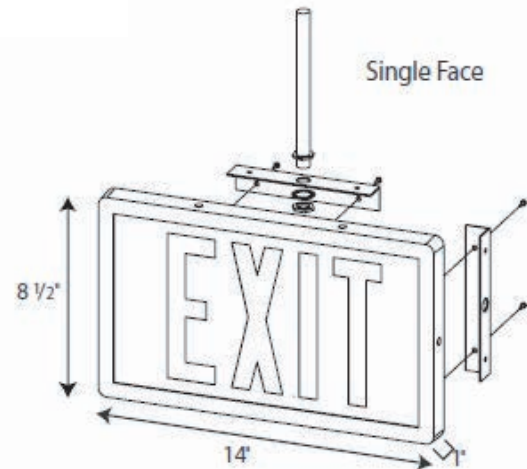
- Overall Size: Single Face: 14" x 8 7/8" x 1"  
Double Face: 14" x 8 7/8" x 2"
- Weight: Single Face: 2.5 lbs.  
Double Face: 5 lbs.
- Frame: Flame retardant, UV stabilized, injection molded ABS frame
- Letters: 6" high; / " stroke, standard exit sign
- Arrows: Universal chevrons
- Service Life: 10 and 20 years

### LISTINGS AND WARRANTY

- Our self-luminous products are warranted against any defects in material or workmanship for the rated life of the product.
- UL Listed to UL 924 Standard, NFPA Life Safety Code 101

### FEATURES

- Self-Luminous Signs are the practical solution for EXIT and safe-tymarking requirements where performance can not be com-promised. These signs are totally self-contained, highly durable and attractive. The Self-Luminous Signs are illuminated with a light source that consists of glass tubes internally coated with phosphor and lled with tritium gas, a natural isotope of hydrogen. They are completely free of any external energy source providing 10-20 years of continuously illuminated, maintenance-free operation and code compliance.



Special Wording and Pictograms Available



Sample Part Number: **LSXSTR**

### ORDERING INFORMATION

SERIES	# OF FACES	FACES COLOR	SERVICE LIFE	FRAME COLOR	MOUNTING
LSXSTR	S = Single D = Double	R = Red G = Green BK = Black	10 = 10 Years 20 = 20 Years	BK = Black WH = White GY = Gray	UB (universal mounting bracket)