



Job Name: _____

Type: _____

Part #: _____

Notes: _____

LSSWX Series

Swing Edge Lit Exit Signs

SPECIFICATIONS

Construction	Extruded aluminum housing with high-grade, acrylic panel
Installation	Pivoting design for installation on wall, ceiling, sloped ceiling or recessed mounting.
Illumination	All models are illuminated with high intensity red or green LEDs and meet UL requirements for uniformity.
Electronics	Universal 120/277 volts 60hz input. AC lock out and low voltage disconnect.
Power Consumption	All models - Less than 5 watts
Battery	Sealed NiCad battery - Provides a minimum of 90 minutes of emergency operation
Code Compliance	UL listed for damp locations. Meets or exceeds the requirements of the NEC, CEC and NFPA101
Warranty	Three year warranty from date of shipment on entire unit. 5 year pro rata warranty on the batteries. See Warranty Statement for details.



STANDARD FEATURES

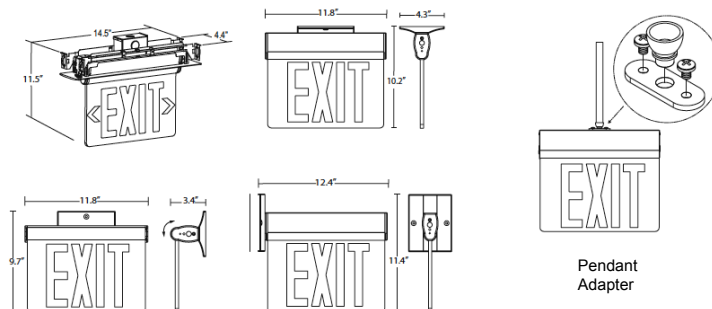
All Models:

- Universal 120/277 volt 60 Hz field selectable input Suitable for installation in existing drywall applications
- The LSSWXU/LSSWXUM models include both single and double-face panels
- Includes surface mounting canopy as well as bracket for recessed mounting applications
- Field-selectable directional chevrons
- UL Listed for Damp Locations
- California Energy Commission (CEC) compliant

Emergency Models:

- Premium nickel cadmium maintenance free battery
- 90 minutes of emergency illumination
- Fully automatic solid state charger
- 24 Hour Recharge time
- Solid state relay supervision and transfer
- Low battery voltage disconnect
- AC lockout circuit reduces installation time
- AC ready LED indicator
- Momentary test switch.
- UL listed for damp locations - 0°C to 40°C

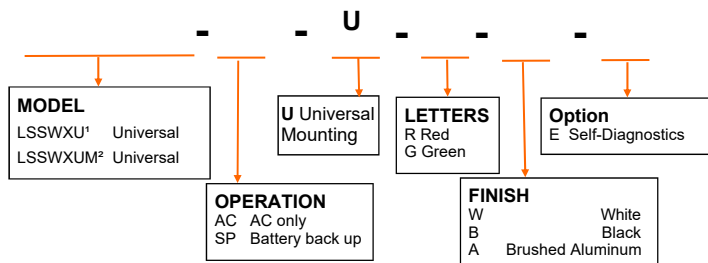
DIMENSIONS:



Accessories (order separately)

- ER1 - 12 inch pendant Mount
- ER2 - 24 inch Pendant Mount
- PA - Pendant Adapter

ORDERING GUIDE



¹ Includes 1 Single-Face Clear and 1 Double-Face Mirrored Panel in Selected Colors

² Includes 1 Single-Face Mirror and 1 Double-Face Mirror Panel (consult factory for AC Configuration)