

Job Name: _____

Type: _____

Part #: _____

Notes: _____

LSRMR-16-65-125

Remote Capable MR-16 Emergency Unit

STANDARD

OPTIONAL



ILLUMINATION

- Two fully adjustable ultra bright, round, 12W, MR-16 halogen lamp heads standard.

ELECTRICAL

- Offer 26W of remote capacity when using standard 12W halogen lamps, 43W of remote capacity when using 3.3W LED lamps, and 40W of remote capacity when using 5.0W LED lamps.
- Dual 120/277 voltage.
- Charge rate/power "ON" LED indicator light and push-to-test switch for mandated code compliance testing.
- LVD (low voltage disconnect) prevents battery from deep discharge.
- 6V maintenance-free, rechargeable sealed lead acid battery.
- Internal solid-state transfer switch automatically connects the internal battery to lamp heads for minimum 90-minute emergency illumination.
- Fully automatic solid-state, two rate charger initiates battery charging to recharge a discharged battery in 24 hours.

MOUNTING

- Surface mount via easy connect back plate, which fits most standard junction boxes and snaps into place making internal electrical connections.
- Conduit mount knockout on top of housing and backplate.
- Suitable for wall mount.

HOUSING

- Injection-molded, engineering grade, 5VA flame retardant, high-impact resistant, thermoplastic in white or black finish.

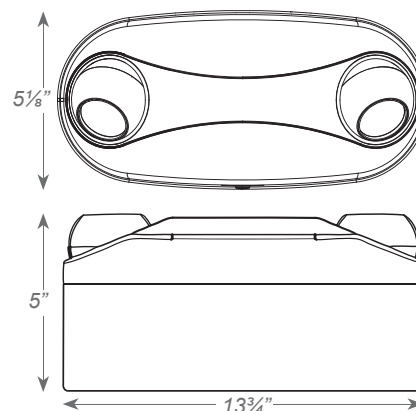
OPTIONS

- LED: 3.6W high performance MR-16 base LED lamps.
- PLED: 5.0W high performance MR-16 base LED Lamps for premium center-to-center spacing.

WARRANTY / LISTING

- Five year warranty on all electronics and housing. Battery pro rated for two years.
- Meets UL924, NFPA 101 Life Safety Code, NEC, OSHA, Local and State Codes.
- UL Listed for damp locations (20°C – 40°C).

DIMENSIONS



ORDERING INFORMATION

Special Voltage options available.
Check with your Best Lighting representative.

MODEL	HOUSING COLOR		OPTIONS	
LSRMR-16-65 (6 Volt)	Blank	White	LED	3.6W High Lumen White LED Lamp
LSRMR-16-125 (12 Volt)	B	Black	PLED	5.0W High Lumen White LED Lamps
			RC	Remote Capable ¹

¹See your LSL Rep for Compatible heads