



Job Name: _____

Type: _____

Part #: _____

Notes: _____

LSMHE

Intelligent Emergency Lighting to 5,000 Lumens

A powerful LED fixture designed for very low profile recessed ceiling mount, or optional surface mount. Suitable for dry or damp locations at mounting heights to 40 ft or more from floor level, with spacing up to 70 ft on center.

CONSTRUCTION

- Trim Plate from machined aluminum, available with brushed finish or a variety of satin enamel paint colors.

- **Recessed Mount:**

Steel housing complete with butterfly brackets and heavy duty hanger bars extending to 24".

- **Surface Mount:**

Flush aluminum trim plate, surface or ceiling cable entry.

- **Pendant Mount:**

12" Standard pendant , Contact factory for other lengths, Kit includes canopy and wire harness.

APPLICATIONS

- **Standard Model:** Maximum Floor Coverage from Ceiling Heights up to 40 Feet and More

- **Wide Angle Lens Option:** Maximum Floor Coverage from a Standard Ceiling Height

OPERATION

- Over 160 Lm/ watt delivered from high efficiency LEDs
- 70% lumen maintenance (L70) at 50,000 hrs
- IES photometric data available for all models.
- LED color temperature 4,700K and CRI of 70.



POWER/ LUMEN RANGE

Emergency Power Watts	Wide Angle Lumens	Standard Model Lumens
30	5,000	4,800

ELECTRONICS

- Self-Test diagnostics standard in all models, with all required monthly and annual tests completed automatically.
- LED arrays are wired in series-parallel strings, ensuring that lamp continues to operate after failure of a single LED or string.

CODES

- Listed to UL 924 for emergency operation, ROHS compliant, LM-79 tested, Lamp Enclosure rated IP67.

WARRANTY

- 10 Year total customer satisfaction warranty on construction and electronics; batteries are pro- rated. For details, see product catalog technical data section.

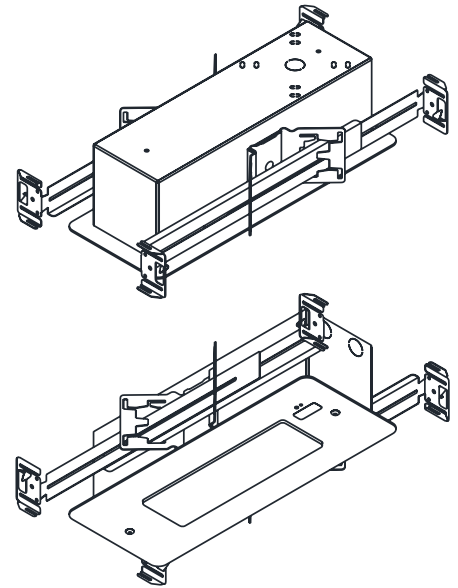
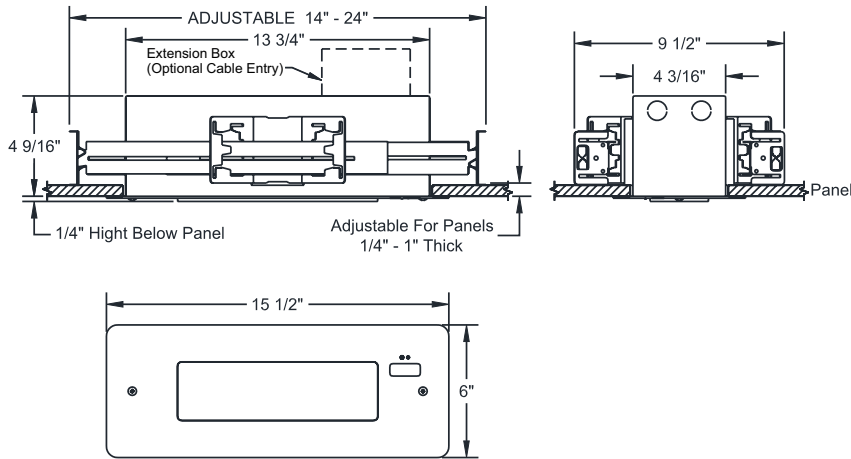


ORDERING INFORMATION: *EXAMPLE:* LSMHEBB30RW-WA

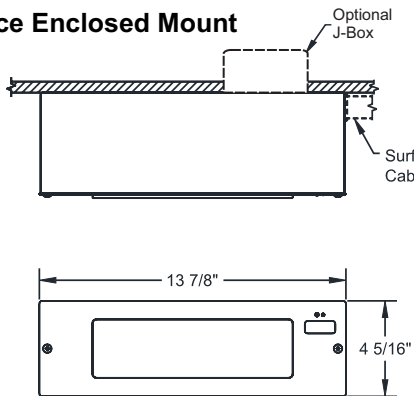
MODEL SERIES	OPERATION	EMERGENCY POWER RATING (EPR)	MOUNT	TRIM	OPTIONS
LSMHE	BB= Battery Backup	30= 30 Watts	R= Recessed S= Surface	W= Satin White A= Aluminum X= Custom	RT= Remote Test Panel SV= Swivel Mount PEN= Pendant Mount* WA= Wide Angle Lens *Standard 12". Contact factory for other sizes.

Job Name: _____
 Type: _____
 Part #: _____
 Notes: _____

Recessed Mount



Surface Enclosed Mount



Pendant Mount

