



Job Name: _____

Type: _____

Part #: _____

Notes: _____

LSM3

MR-16 THERMOPLASTIC EMERGENCY UNIT

STANDARD

OPTIONAL



ILLUMINATION

- Two fully adjustable, 5.0 watt, MR-16 halogen lamp heads standard.
- High performance MR16 halogen lamps with smooth metallized reflector and glass lens for optimal light distribution.

ELECTRICAL

- Dual 120/277 voltage.
- Charge rate/power "ON" LED indicator light and push-to-test switch for mandated code compliance testing.
- LVD (low voltage disconnect) prevents battery from deep discharge.
- 6V maintenance-free, rechargeable sealed lead acid battery.
- Internal solid-state transfer switch automatically connects the internal battery to lamp heads for minimum 90-minute emergency illumination.
- Fully automatic solid-state, two rate charger initiates battery charging to recharge a discharged battery in 24 hours.

MOUNTING

- Universal knockout pattern on back plate for wall mount. Snaps into place making internal electrical connections.
- Knockout for conduit applications.

HOUSING

- Injection-molded, engineering grade, 5VA flame retardant, high-impact resistant, thermoplastic in white or black finish.



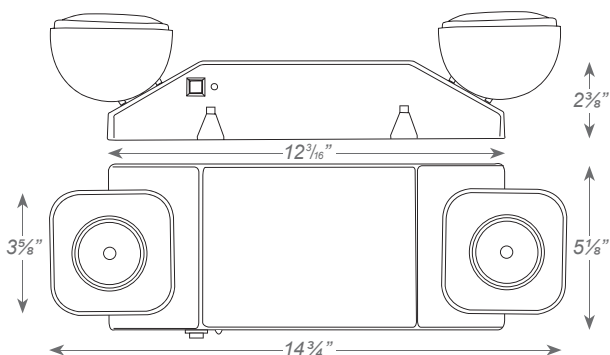
OPTIONS

- *SDT*: Self-diagnostic feature performs monthly, biannual, and annual tests to ensure reliable operation and meets electrical and life safety codes.
- *HTR*: Optional internal heater for cold temperature (-9°C – 50°C) applications.
- *USA*: Substantial transformation assembly in the U.S. complies with "Assembled in the USA" under the Buy American Act.
- *LED*: 3.3W high performance MR-16 base LED lamps for increased center-to-center spacing.
- *PLED*: 5.0W high performance MR-16 base LED lamps for premium center-to-center spacing

WARRANTY / LISTING

- Five year warranty on all electronics and housing. Battery prorated for two years.
- Meets UL924, NFPA 101 Life Safety Code, NEC, OSHA, Local and State Codes.
- UL Listed for damp locations (20°C – 40°C).

DIMENSIONS



ORDERING INFORMATION

Sample Part Number: **LSM3**

MODEL	HOUSING COLOR	OPTIONS
LSM3	(blank) White	SDT Self-Diagnostics
	B Black	HTR Internal Heater
		USA Assembled In USA
		LED 3.3W High Lumen White LED Lamps
		PLED 5.0W High Lumen White LED Lamps
		RC Remote Head Compatible

Special voltage options available. Check with your LSL Lighting representative.

1 Not available with SDT option.