

Job Name: \_\_\_\_\_

Type: \_\_\_\_\_

Part #: \_\_\_\_\_

Notes: \_\_\_\_\_

# LSLEDM7W

## RECESSED LED EMERGENCY UNIT

STANDARD



### ILLUMINATION

- Two fully adjustable 1.0W white LED lamp heads.
- High performance chrome-plated metal reflectors and plastic lens for optimal light distribution.

### ELECTRICAL

- Dual 120/277 voltage.
- Charge rate/power "ON" LED indicator light and push-to-test switch for mandated code compliance testing.
- LVD (low voltage disconnect) prevents battery from deep discharge.
- 6V maintenance-free, rechargeable sealed lead acid battery.
- Internal solid-state transfer switch automatically connects the internal battery to lamp heads for minimum 90-minute emergency illumination.
- Fully automatic solid-state, two rate charger initiates battery charging to recharge a discharged battery in 24 hours.

### MOUNTING

- Bar hangers on the back box for recessed mount.
- Compatible with drop ceiling mount installations.

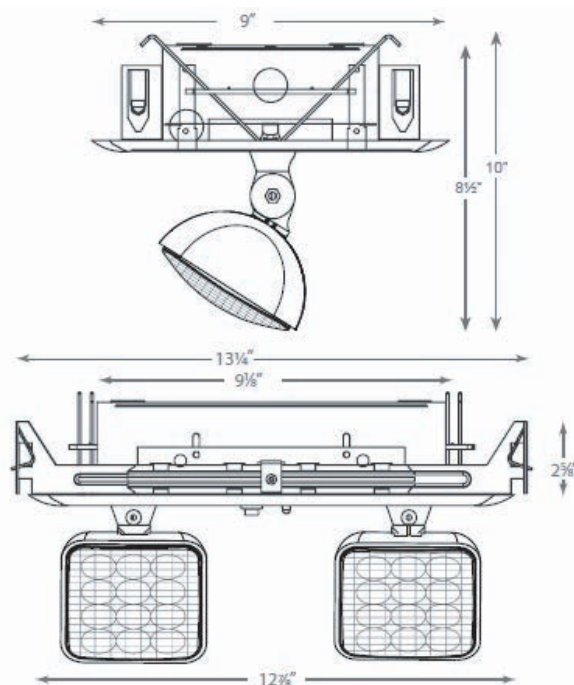
### HOUSING

- Durable 20-gauge steel trim plate in white or black finish.
- Trim securely attached to housing with spring clips.

### LISTINGS AND WARRANTIES

- Five year warranty on all electronics and housing. Battery pro-rated for two years.
- Meets UL924, NFPA 101 Life Safety Code, NEC, OSHA, Local and State Codes.
- UL Listed for dry locations (25°C).

### DIMENSIONS



Sample Part Number: **LSLEDM7W**

### ORDERING INFORMATION

MODEL	HOUSING COLOR	OPTIONS
LSLEDM7W	Blank - White B - Black	

Special voltage options available. Check with your Lighting Representative.

NOTE: Product specifications subject to change without notice. Updated 08.2017