



Job Name: \_\_\_\_\_

Type: \_\_\_\_\_

Part #: \_\_\_\_\_

Notes: \_\_\_\_\_

# LSEM LED Emergency Unit

STANDARD



OPTIONAL



## ILLUMINATION

- Long lasting, efficient, ultra bright white LED lamp heads.
- 1.5W (3 LEDs x 0.50 watt) per head.
- Unique all-inclusive lamp, reflector and lens assembly.
- Adjustable LED lamp heads provide optimal center-to-center spacing.

## ELECTRICAL

- Dual 120/277 voltage.
- Charge rate/power "ON" LED indicator light and push-to-test switch for mandated code compliance testing.
- 3.6V long life, maintenance-free, rechargeable NiCd battery.
- Internal solid-state transfer switch automatically connects the internal battery to LED lamp heads for minimum 90-minute emergency illumination.
- Fully automatic solid-state, two rate charger initiates battery charging to recharge a discharged battery in 24 hours.
- Remote capacity available as an option.

## MOUNTING

- Surface mount via easy connect back plate which fits most standard junction boxes.
- Suitable for wall or ceiling mount.
- Knockout for conduit applications.

## HOUSING

- Injection-molded, engineering grade, 5VA flame retardant, high-impact resistant, thermoplastic in white or black finish.

## WARRANTY / LISTING

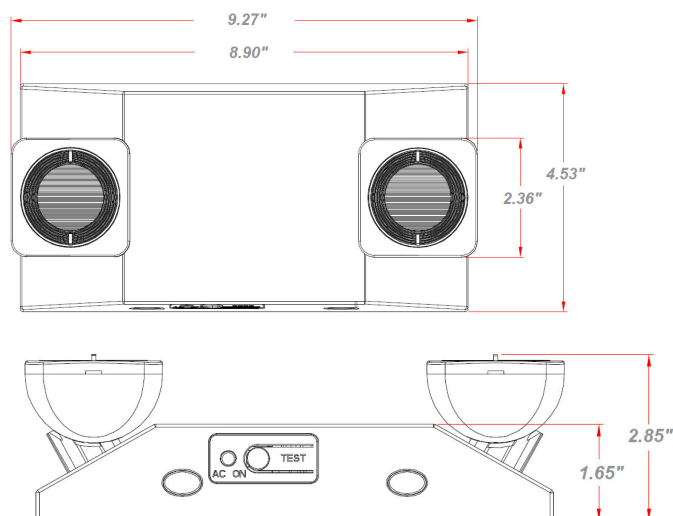
- Five year warranty on all electronics and housing. Batteries pro rated for five years.
- UL listed for damp locations (0°C – 50°C).
- Meets UL924, NFPA 101 Life Safety Code, NEC, OSHA, Local and State Codes.
- Certified to CEC under title 20 regulations.

## OPTIONS

- SDT: Self-diagnostic feature performs monthly, biannual, and annual tests to ensure reliable operation and meet electrical and life safety codes.
- NH: No lampheads attached to the unit enabling it to be used as a remote capable unit.



## DIMENSIONS



## SPACING

PART#	Mounting Height (FT)	3FT Width Egress Path	
		Single Fixture (ft)	Fixture To Fixture (ft)
LSEM	7.5 (Wall Mount)	26	30
	10 (Wall Mount)	28	29
	12 (Wall Mount)	22	24
	15 (Wall Mount)	20	23

## ORDERING INFORMATION

MODEL	HOUSING COLOR	OPTIONS
LSEM	W White	SDT Self-diagnostics <sup>1</sup>
	B Black	RC Remote capable
		NH No heads <sup>1</sup>

Sample Part Number: **LSEMWRC**

<sup>1</sup> SDT and NH options are not available together.

2022.05

Office: 267-982-2661  
www.lsl247.com

Specifications subject to change without prior notice.  
©2022 LSL 24/7. ALL RIGHTS RESERVED