

LSELD

GENERAL DESCRIPTION

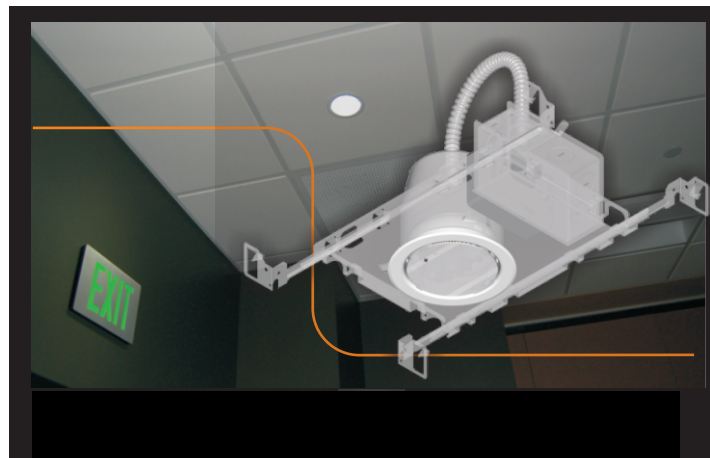
With spacing up to 55 ft in 9 ft ceilings, this recessed down light with a 4" trim is our most efficient emergency luminaire; very effective in long corridors, it is inconspicuous and will blend with general lighting fixtures without affecting the appearance of ceiling layouts .

CONSTRUCTION

- 4" Trim ring installation with standard can and back plate.
- Two versions available:
BB=Unit equipment with self-contained battery
AC=Remote for connection to AC 120/ 277 emergency supply.

ELECTRONICS

- Lamps are connected in parallel. If one lamp fails, one or more lamps will continue in operation.
- Universal 120/277 VAC input for standard battery or AC unit, or 24 VDC input for remote configuration.
- Power supply delivers regulated current and voltage to LED lamps at optimum levels to maximize lamp life.
- Automatic battery diagnostics available for all battery models.



ENERGY EFFICIENT OPERATION

- Emergency lighting with optional dual function operation for night or security lighting.
- Very low power consumption in optional night/ security mode. The security lighting circuit is independent of emergency lighting and may be switched manually, by an exterior photocell, or other automatic means.
- Over 50,000 hour lamp life in normal use.
- IES photometric data available for all models.

CODES

- Manufactured and tested to UL Standard 924 and NFPA Life Safety Code 101.

WARRANTY

- 5 year total customer satisfaction warranty. For details see product catalog technical data section.



Job Name: _____

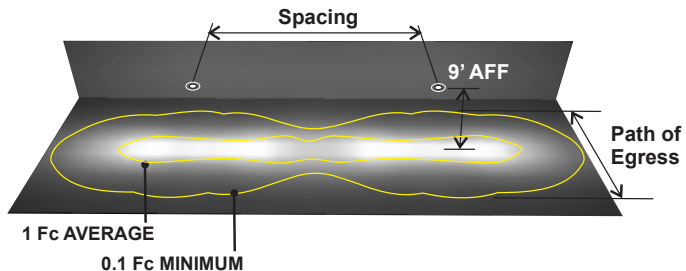
Type: _____

Part #: _____

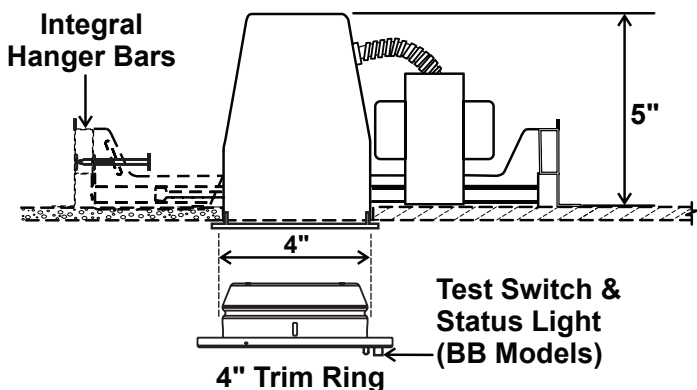
Notes: _____

SUGGESTED SPECIFICATIONS:

LSELD Recessed LED downlight emergency lighting fixture manufactured, available as unit equipment or as a remote device connected to a central battery power source. Upon loss of AC building power, emergency models shall operate for a minimum of 90 minutes under battery power, in compliance with UL 924 and NFPA LSC Code 101. The unit may be specified to operate continuously for security or night lighting, as required. The battery charger and power supply shall have universal input of 120/277 VAC, with brownout and LVD circuit protection. Auto battery diagnostics shall be available for all models, as specified and shall perform all test functions specified by UL 924 and NFPA 101.



MOUNTING DATA & DIMENSIONS:



SPACING GUIDE

Average Illuminance 1 Fc

Model	Mtg. Ht.	SPACING		
		Path of Egress Width		
		3 Ft.	6 Ft.	10 Ft.
7 W	9'	50'	40'	25'
10 W	9'	55'	50'	40'

NOTE: TESTED IN ACCORDANCE WITH IES STANDARD LM-79-08 FOR SOLID STATE LIGHTING PRODUCTS. FOR REFERENCE ONLY. STANDARD REFLECTANCES 80/50/20. SIGNTEX IS NOT RESPONSIBLE FOR SPECIFIC CONDITIONS THAT MAY ALTER THE RESULTS. COMPLETE IES PHOTOMETRIC DATA AVAILABLE AT WWW.SIGNTEXINC.COM FOR YOUR CONVENIENCE.

CONTACT SIGNTEX FOR LAYOUT ASSISTANCE
Code Compliant Emergency lighting layouts provided free of charge!

POWER RATING

MODEL	OPERATION	WATTS	
BB	Emergency	7	10
	SEC/ Normal On	4	5
AC	Line Voltage	4	7

SECURITY LIGHTING CONTROL

BB Models: Requires Option '-SB120' for connection to 120 VAC
Requires Option '-SD277' for connection to 277 VAC

BB-DG Models: Requires Option '-SD' for connection to 120/ 277 VAC

BB-LT Models: Requires Option '-SD' for connection to 120/ 277 VAC

**SELF- TEST DIAGNOSTIC
BB MODELS WITH DG FUNCTION**

STATUS	LED DISPLAY
NORMAL FULL CHARGE	GREEN ON
NORMAL FAST CHARGE	ORANGE ON
FAILED BATTERY	RED FLASH F AST
FAILED LAMP	GREEN FLASH
FAILED TRANSFER	ORANGE FLASH
FAILED CHARGER	RED FLASH SL OW

AMBIENT TEMPERATURE LIMITS:

"BB" models with "LT" option:
-40° C to +35° C**

** **NOTE** Security Lighting is **REQUIRED** for operations at -40°C. Fixtures turn on below -20C.

Standard "BB" models: 0° C to +45° C
Remote models: -40° C to +50° C

ORDERING INFORMATION: EXAMPLE: LSELDRE7W-DP

MODEL SERIES	OPERATION	WATTS	TRIM COLOR	OPTIONS
LSELD	BB= Battery Backup AC= AC Supply 120/277V	BB Model 7 = 7 Watts 10 = 10 Watts AC Models 4 = 4 Watts 7 = 7 Watts	W=White 'X'=Custom	DAC= Dual AC Input (AC Models Only) DG= Battery Diagnostics (BB Models Only) DP= Damp Location IC= Insulation Contact Rated SB120= Security Lighting with Control Switch for Standard BB Operation (120V) SD277= Security Lighting with Control Switch for Standard BB Operation (277V) SD= Security Lighting with Control Switch for BB Operation with DG option (120/ 277V) LT= Low Temp -40°C (BB-DG Models Only) TD20= 20 Minute Time Delay (BB-DG Models only)