

Job Name: \_\_\_\_\_

Type: \_\_\_\_\_

Part #: \_\_\_\_\_

Notes: \_\_\_\_\_

# LSDEM

## Decorative LED Emergency Unit

### STANDARD



### OPTIONAL



### ILLUMINATION

- Long lasting, efficient, ultra bright white LED lamp heads.
- 1W (1 LED x 1.0 watt) per head.
- Unique all inclusive lamp, reflector and lens assembly.
- Adjustable LED lamp heads provide optimal center-to-center spacing.

### ELECTRICAL

- Dual 120/277 voltage.
- Charge rate/power "ON" LED indicator light and push-to-test switch for mandated code compliance testing.
- 4.8V long life, maintenance-free, rechargeable lithium iron phosphate battery.
- Internal solid-state transfer switch automatically connects the internal battery to LED lamp heads for minimum 90-minute emergency illumination.
- Fully automatic solid-state, two rate charger initiates battery charging to recharge a discharged battery in 24 hours.

### MOUNTING

- Surface mount via easy connect back plate, which fits most standard junction boxes.
- Suitable for wall mount.
- Knockout for conduit applications.

### HOUSING

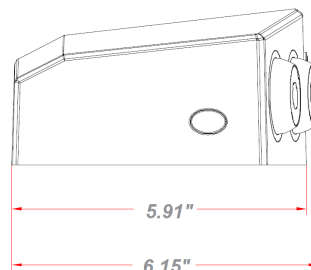
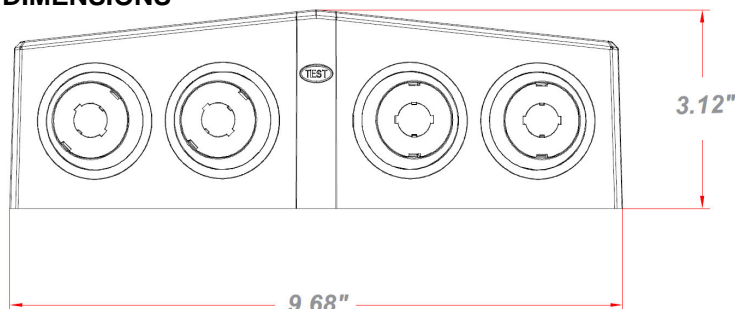
- Injection-molded, engineering grade, 5VA flame retardant, high-impact resistant, thermoplastic in white or black finish.

### OPTIONS

- SDT: Self-diagnostic feature performs monthly, biannual, and annual tests to ensure reliable operation and meet electrical and life safety codes.



### DIMENSIONS



### WARRANTY / LISTING

- Five year warranty on all electronics and housing. Batteries pro rated for five years.
- UL listed for damp locations (0°C – 50°C).
- Meets UL924, NFPA 101 Life Safety Code, NEC, OSHA, Local and State Codes.

### ORDERING INFORMATION

MODEL	HOUSING COLOR	OPTIONS
LSDEM	W White B Black	SDT Self-diagnostics

Sample Part Number:  
**LSDEMWSDT**