

Job Name: \_\_\_\_\_

Type: \_\_\_\_\_

Part #: \_\_\_\_\_

Notes: \_\_\_\_\_

# LSCWLEZXTEU

## WET LOCATION ALL LED EXIT AND EMERGENCY COMBO

STANDARD

OPTIONAL



### ILLUMINATION

- Long lasting, efficient, ultra bright white LED lamp heads.
- 3.6W (3 LEDs x 1.2 watt) per head.
- Adjustable LED lamp heads provide optimal center-to-center spacing.
- Long-life, energy efficient Red or Green LED EXIT sign illumination.

### ELECTRICAL

- Dual 120/277 voltage standard.
- Unique bi-color LED indicator light alerts occupant on battery condition (Green-normal, Red-check battery).
- 6V long life, maintenance free, rechargeable NiCd battery.
- Internal solid-state transfer switch automatically connects the internal battery to lamp heads for minimum 90-minute emergency illumination.
- Fully automatic solid-state, two rate charger initiates battery charging to recharge a discharged battery in 24 hours.

### MOUNTING

- Die-cast aluminum mounting canopy included for top or end mount.
- Universal K/O pattern on back plate for wall mount.

### HOUSING

- 5VA flame retardant, UV stabilized polycarbonate in white, black or gray finish.
- High-impact resistant, UV stabilized polycarbonate clear lens.
- Corrosion resistant enclosure with engineering grade silicone gasket.
- Top and side K/O's provided for conduit feed applications.
- EZ snap-out Chevron directional indicators.

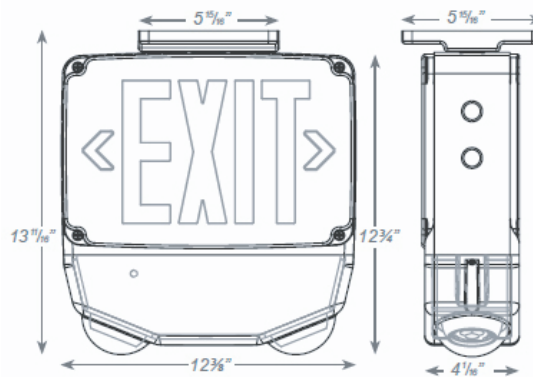
### OPTIONS

- RC: Remote capacity of up to 7.2 watts.
- SDT: Self-diagnostic feature performs monthly, biannual, and annual tests to ensure reliable operation and meet electrical and life safety codes.
- TP: Tamper-proof hardware helps prevent unauthorized access to the unit.
- CW: Optional internal heater and battery blanket for extreme cold temperature applications (-20°C – 50°C).
- Custom: Signs available with requested "special" wording.

### LISTINGS AND WARRANTIES

- Five year warranty on all electronics and housing. Battery pro-rated for five years.
- Meets UL924, NFPA 101 Life Safety Code, NEC, OSHA, Local and State Codes.
- UL Listed for damp locations (0°C – 50°C).

### DIMENSIONS



### ORDERING INFORMATION

Sample Part Number: **LSCWLEZXTEU**

MODEL	# OF FACES	LETTER COLOR	HOUSING COLOR	OPTIONS
LSCWLEZXTEU	1 - Single Face 2 - Double Face	R - Red G - Green G - Gray w/White Faceplate	W - White B - Black A - Aluminum	SDT - Self-Diagnostics CUSTOM - Custom Wording CW - Cold Weather RC - Remote Capable TP - Tamper-Proof