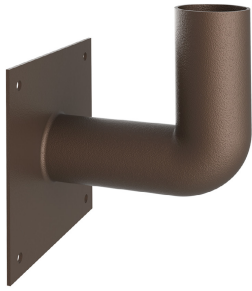
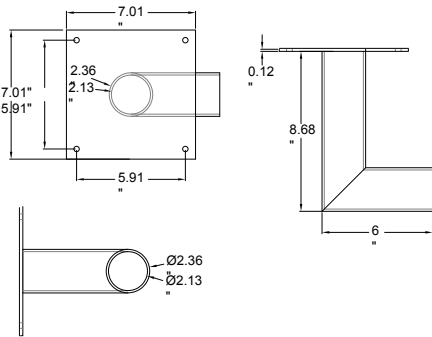


Tenon Mounts for Poles Compatible with 2 3/8" slip fitter brackets



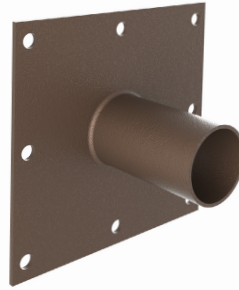
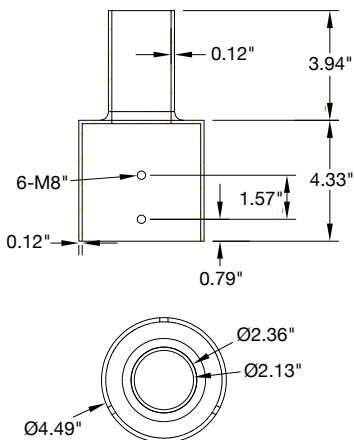
Part #: HTN-WM-90-7

Tenon: Wall Mount 90 Degree Arm 7" Mounting Bracket Bronze Finish
Bracket EPA: 0.3



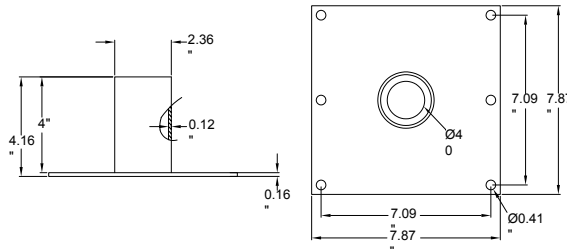
Part #: HTN-RD-4

Description: Tenon: Round 4" Pole Reducer to 2.36"
Bracket EPA: 0.4



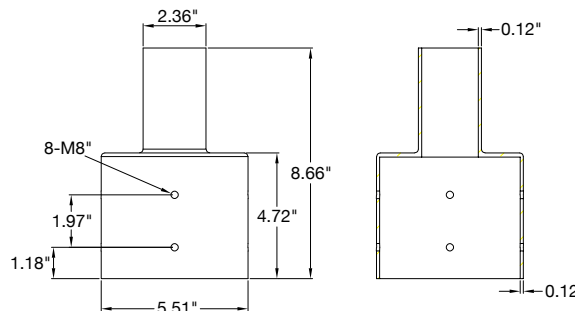
Part #: HTN-WM-7

Tenon: Wall Mount Straight 4" Mounting Bracket Bronze Finish
Bracket EPA: 0.2



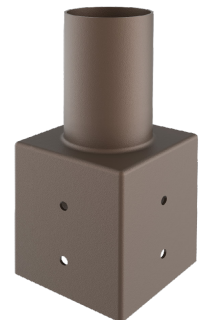
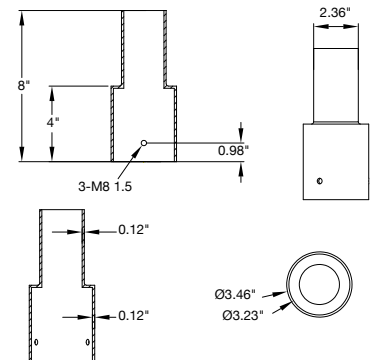
Part #: HTN-RD-5

Tenon: Round 5" Pole Reducer to 2.36"
Bracket EPA: 0.45



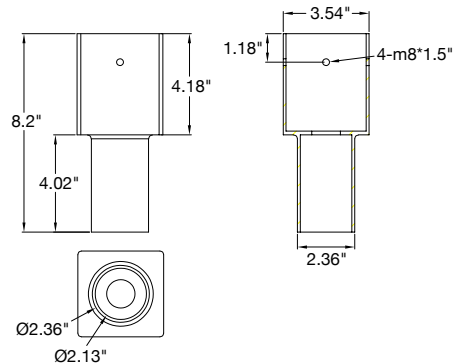
Part #: HTN-RD-3

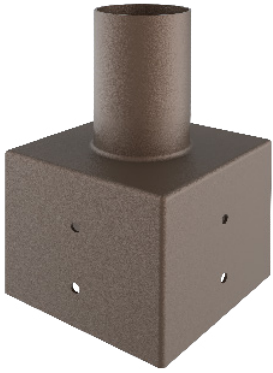
Tenon: Round 3" Pole Reducer to 2.36" Bracket EPA: 0.4



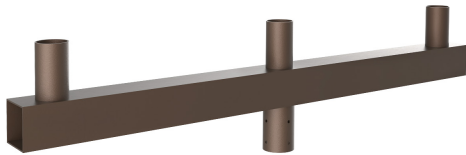
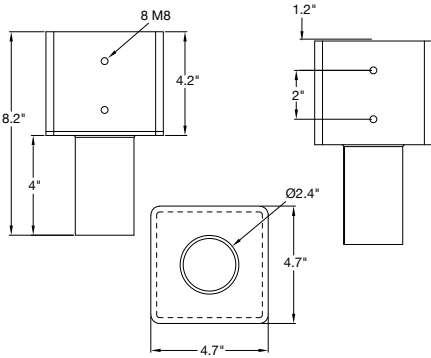
Part #: HTN-SQ-3

Tenon: Square 3" Pole Reducer to 2.36"
Bracket EPA: 0.3

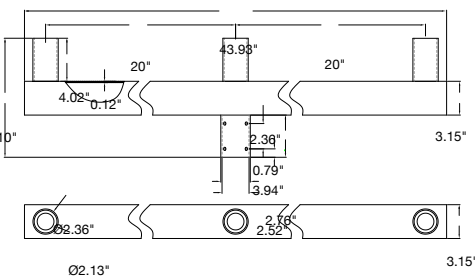




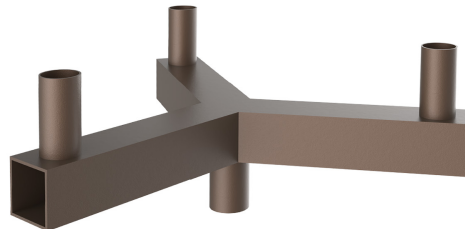
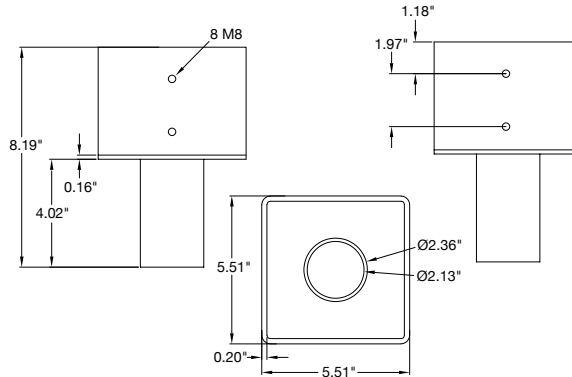
Part #: HTN-SQ-4
Tenon: Square 4" Pole Reducer to 2.36"
Bracket EPA: 0.3



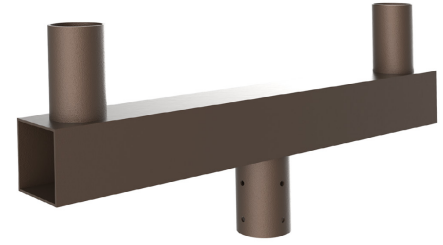
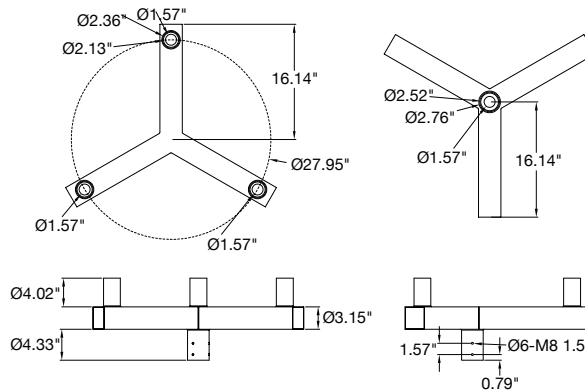
Part #: HTN-BH-SQ-180-3S
Tenon: Square Bullhorn 3-Head Adapter
Bracket EPA: 1.9



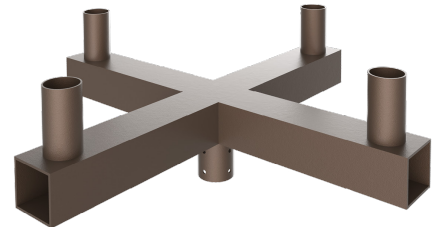
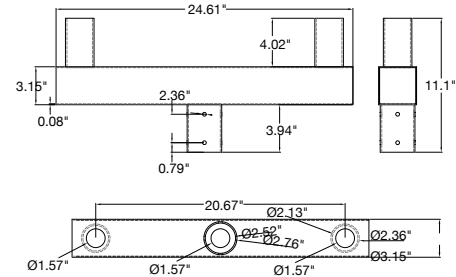
Part #: HTN-SQ-5
Tenon: Square 5" Pole Reducer to 2.36" Bracket
EPA: 0.35



Part #: HTN-BH-SQ-180-3Y
Tenon: Square Bullhorn 3-Head Y-Adapter
Bracket EPA: 1.9



Part #: HTN-BH-SQ-180-2S
Tenon: Square Bullhorn 2-Head Adapter
Bracket EPA: 1.2



Part #: HTN-BH-SQ-90-4X
Tenon: Square Bullhorn 4-Head X-Adapter
Bracket EPA: 2

