

HWPE

Economy Wall Packs

STANDARD



FEATURES

- Available in 3000k, (warm white), 4000k (neutral white), and 5000k (cool white) color temperatures.*
- Long-life LEDs provide at least 70% of initial lumen output (L_{70}) for $\geq 17,400$ hours of operation, and at least 90% of initial lumen output (L_{90}) for $\geq 51,000$ hours of operation. *
- LED chromaticity based on ≤ 6 -step ANSI quadrangles.
- LED color maintenance ≤ 0.002 chromaticity shift ($\Delta u'v'$) over the initial 6,000 of operation.
- Provides a range of 2,614 to 2,794 nominal lumens and 134 to 144 nominal lumens per watt (lm/W).
- 0-10vdc dimming drivers, which provide 10% continuous dimming are standard.
- Universal 120-277 AC voltage (50-60Hz) is standard.
- Power factor > 0.90 .
- Total harmonic distortion $< 20\%$.
- Color rendering index (R_a) > 80 . Red color rendering > -8 .
- Cast aluminum housing with dark bronze, powder coat finish.
- Integral photocell is standard.
- Diffused polycarbonate lens.
- Two $\frac{1}{2}$ " NPT threaded openings.
- Easy installation in new construction or retrofit applications.

*Contact factory for other color temperatures and lumen packages.

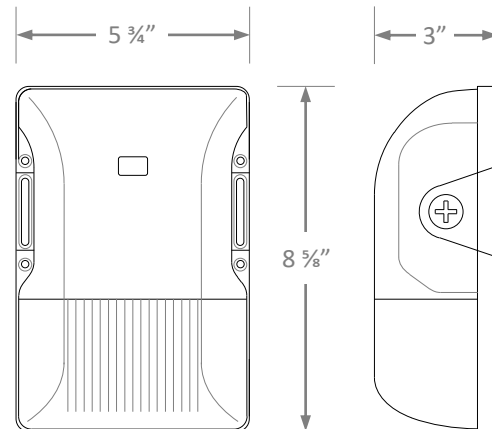
** L_{70} & L_{90} hours are IES TM-21-11 calculated hours.



WARRANTY & LISTINGS

- cULus listed for wet locations in ambient temperatures from -30°C to 45°C (-22°F to 113°F).
- IP65 rated for ingress protection.
- DLC 5.1 premium approved.
- Complies with FCC Part 15, class B.
- Surge immunity protection (2.5kV).
- 5-year warranty of all electronics and housing.

DIMENSIONS



ORDERING INFORMATION

Example: HWPE-3L-5K

| Series | Nominal Lumen Output | | Color Temperature | |
|--------|----------------------|----|-------------------|-------|
| | HWPE | 3L | 3,000 lumens | 3K |
| | | | 4K | 4000k |
| | | | 5K | 5000k |

ELECTRICAL DATA

| Model | Color Temperature | CRI ¹ | Luminaire Lumens | Luminaire Watts | Lumens/Watt | Input Voltage ² | Input Current (A) | | | Power Factor | THD ³ | L ₇₀ Hours ⁴ |
|------------|-------------------|------------------|------------------|-----------------|-------------|----------------------------|-------------------|------|------|--------------|------------------|------------------------------------|
| | | | | | | | 120V | 240V | 277V | | | |
| HWPE-3L-3K | 3000k | >80 | 2,614 | 19 | 134 | 120-277 | 0.16 | 0.08 | 0.07 | >0.90 | <20% | 174,000 |
| HWPE-3L-4K | 4000k | >80 | 2,794 | 19 | 144 | 120-277 | 0.16 | 0.08 | 0.07 | >0.90 | <20% | 174,000 |
| HWPE-3L-5K | 5000k | >80 | 2,745 | 19 | 142 | 120-277 | 0.16 | 0.08 | 0.07 | >0.90 | <20% | 174,000 |

¹ Color rendering index.

² All 50-60Hz.

³ Total harmonic distortion.

⁴ L₇₀ refers to the number of hours at which lumen output declines to 70% of the initial level. L₇₀ hours are IES TM-21-11 calculated hours.

PHOTOMETRIC DATA
HWPE-3L-4K
Luminaire Data

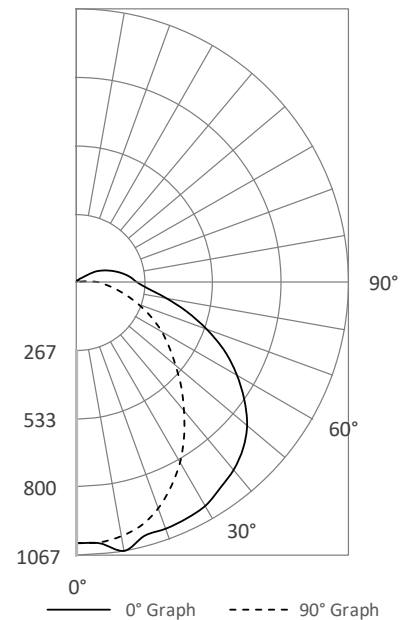
| | |
|-----------------------------|-----------------------------|
| Description | Economy Wall Pack 3L, 4K |
| Total Lumens | 2,794 |
| Input Wattage | 19 |
| Efficacy (lm/W) | 144 |
| Max. Cd. | 1066.59 (360H, 10V) |
| IES Classification | Type IV |
| Longitudinal Classification | Very Short |

Zonal Lumen Summary

| Zone | Lumens | %Fixt |
|----------|--------|--------|
| 0-30° | 744 | 26.6% |
| 0-60° | 1,888 | 67.6% |
| 0-80° | 2,399 | 85.8% |
| 80-90° | 137 | 5.4%* |
| 0-90° | 2,536 | 90.8% |
| 90-110° | 157 | 5.6% |
| 110-180° | 0 | 0.0% |
| 0-180° | 2,794 | 100.0% |

Luminaire Classification Systems (LCS)

| LCS Zone Lumens % Lum | | | |
|-----------------------|---------|----------|--------|
| FL | 0-30 | 406 | 14.5% |
| FM | 30-60 | 803 | 28.7% |
| FH | 60-80 | 404 | 14.5% |
| FVH | 80-90 | 113 | 4.0% |
| BL | 0-30 | 338 | 12.1% |
| BM | 30-60 | 342 | 12.2% |
| BH | 60-80 | 106 | 3.8% |
| BVH | 80-90 | 24 | 0.9% |
| UL | 90-100 | 93 | 3.3% |
| UH | 100-180 | 165 | 5.9% |
| Total | | 2,794 | 100.0% |
| BUG Rating | | B1-U3-G2 | |

180° Polar Graph


* 80-90° glare zone is calculated by dividing the lumens in that zone by the lumen total in the 0-90° zone