

HSA: F6 & SE / HSA: G6 & SE Series Aeroform Round & Square Bollards



The HSAFRB20Q & HSAFSB20Q EasyLED Aeroform Bollards with UV-Stabilized Polycarbonate lenses and sealed optical compartments are designed to replace HID lighting systems up to 70w MH or HPS. These fixtures are ideal for retail centers, industrial parks, schools and universities, public transit and airports, office buildings and medical facilities.

Specifications and Features:

Housing: Extruded Aluminum Housing with Flush Mounting Base, Sand Cast Twin Arm Head, Sealed Driver Compartment.

Listing & Ratings:

CSA: Listed for Wet Locations, ANSI/UL 1598, 8750
IP66 Sealed LED Compartment.

Finish: Textured Architectural Bronze or Black Powdercoat Finish Over a Chromate Conversion Coating. Custom Colors Available Upon Request.

Lens: SoftLED LumaLens Opal UV-Stabilized Polycarbonate Vandal-Resistant Inner Lens to Seal LED Array.

Mounting Options: Mounting Kit with 8" Anchor Bolts, Included.

EasyLED LED: Aluminum Boards

Wattage: Array: 16.5w, System: 19w; (70w HID Equivalent)

Driver: Electronic Driver, 120-277V, 50/60Hz or 347V, 50/60Hz; Less Than 20% THD and PF>0.90. Standard Internal Surge Protection 2kV. 0-10V Dimming Standard for a Dimming Range of 100% to 10%; Dimming Source Current is 150 Microamps.

Controls: Fixtures Ordered with Factory-Installed Motion Sensor Controls are Internally Wired for Switching and/or 1-10V Dimming Within the Housing. Remote Direct Wired Interface of 1-10V Dimming is Not Implied and May Not Be Available, Please Consult Factory. Fixtures are Tested with LEPG Controls and May Not Function Properly With Controls Supplied By Others. Fixtures are NOT Designed for Use with Line Voltage Dimmers.

Warranty: 5-Year Warranty for -40°C to +50°C Environment

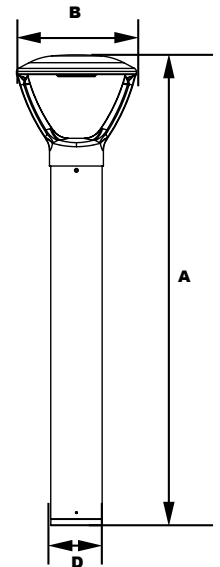


HSAFRB20Q

HSAFSB20Q



Shown with GFCI



Dimensions

Width (B)	11" (280mm)
Diameter (D)	4 ³ / ₄ " (120mm)
Height (A)	42" (1,067mm)

ORDERING INFORMATION

Model	Optics	Wattage	Driver	CCT	Lens	Color	Height	Options
	F	1X17						
HSAFRB20Q = EasyLED Aeroform Round Bollard	F=Wide Beam Spread	1X17=17w	U=120-277V C=347V	3K=3000K 4K=4000K 5K=5000K	L=SoftLED LumaLens Opal UV-Stabilized Polycarbonate Array Lens	Z=Bronze B=Black C=Custom (Consult Factory)	(Leave Blank)= 42" Standard Height 36=36" Height 30=30" Height	GF1=GFCI Outlet, 15A, 120V S3=Internal Microwave Sensor (120-277V Only)
HSAFSB20Q = EasyLED Aeroform Square Bollard								

Accessories & Replacement Parts:



**Mounting Accessories
(Order Separately, Field Installed)**

BREBASE* Bollard Retrofit Base Kit Adapts New Bollards to Most Existing Bolt Patterns. Fits all LEPEG Bollards. Die Cast with Powdercoat Finish, Hardware Included. 1 1/2" Dia. x 1 1/2" H

P17122 Remote Programming Tool for P17121

*Specify Color: Z=Bronze, B=Black, C=Custom (Consult Factory)

**Accessories
(Order Separately, Field Installed)**

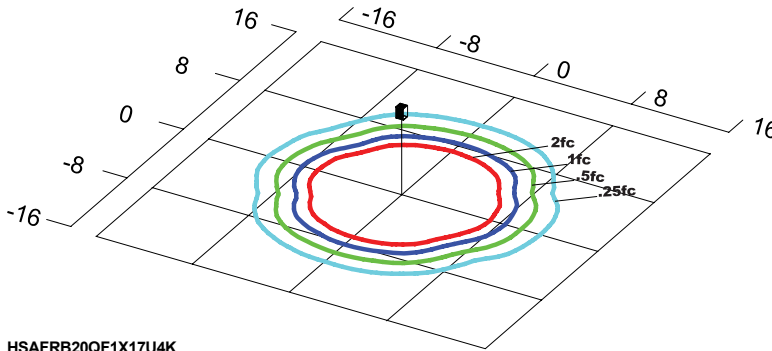
P17121 Internal Microwave Sensor (120-277V Only)

BOADP1 Adapter Plate with Gaskets for Outlet Boxes. Fits LEPEG Round Bollards. Die Cast with Bronze Powdercoat Finish.

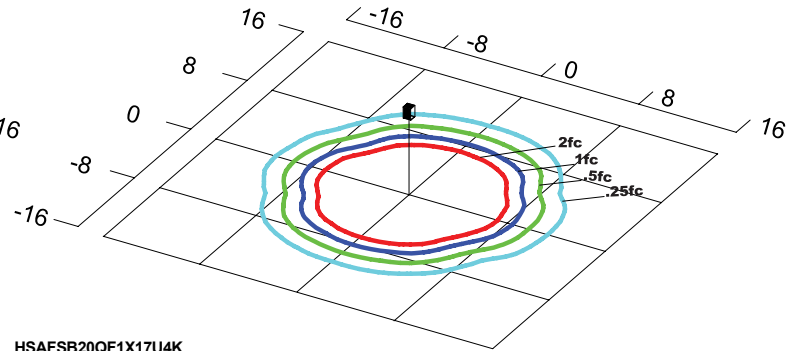
**Replacement Parts
(Order Separately, Field Installed)**

*Shown Mounted

Photometric Data



HSAFRB20QF1X17U4K
Type V
Grid in feet, Mounting Height = 3.5 ft.



HSAFSB20QF1X17U4K
Type V
Grid in feet, Mounting Height = 3.5 ft.

Photometric Performance

LED Board Watts	Drive Current (mA)	Input Watts	Optics	4000 CCT 70 CRI				
				Lumens	LPW	B	U	G
EasyLED 17w	125	20	Type V SoftLED	2,081	106	1	1	0

Projected Lumen Maintenance

Data shown for 5000 CCT			Compare to MH				
TM-21-11	Input Watts	Initial	25,000 Hrs	50,000 Hrs	100,000 Hrs	Calculated L70@ 25°C	
HSAFB20 L70 Lumen Maintenance @ 25°C / 77°F	20	1.00	0.96	0.92	0.84	187,000	
TM-21-11	Input Watts	Initial	25,000 Hrs	50,000 Hrs	100,000 Hrs	Calculated L70@ 50°C	
HSAFB20 L70 Lumen Maintenance @ 50°C / 122°F	20	1.00	0.93	0.87	0.73	113,000	
TM-21-11	Input Watts	Initial	25,000 Hrs	50,000 Hrs	100,000 Hrs	Calculated L80@ 40°C	
HSAFB20 L80 Lumen Maintenance @ 40°C / 104°F	20	1.00	0.97	0.93	0.86	144,000	