

## HSB9Q EasyLED Curve Bollard, Nautical Series



The nautically inspired HSB9Q Curve Bollard provides pedestrian and parking area lighting with a seaside flair. The specially designed UV-stabilized polycarbonate optics offer full-cutoff, excellently controlled uniform lighting designed to replace HID lighting systems up to 70w MH or HPS. These fixtures are ideal for a wide range of applications including parking areas, walkways and landscape accents.

### Specifications and Features:

**Housing:** Durable One-Piece Sand Cast Aluminum Housing Features 1/2" Thick Walls. Includes Flush Mounting Base & Vandal-Resistant Screws, Internal Driver Tray for Easy Maintenance.

**Listing & Ratings:** CSA: Listed for Wet Locations, ANSI/UL 1598, 8750 IP65

**Finish:** Textured Architectural Bronze or Black Powdercoat Finish Over a Chromate Conversion Coating. Custom Colors Available Upon Request.

**Lens:** Clear UV-Stabilized Polycarbonate Vandal-Resistant Lens

**Mounting Options:** Mounting Kit with 8" Zinc-Plated Anchor Bolts, Included.

**EasyLED LED:** Aluminum Boards

**Wattage:** 12w: Array 12w, System 13.6w; 18w: Array 18.2w, System 20.4w

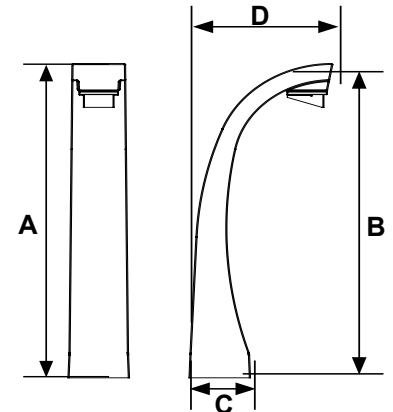
**Driver:** Electronic Driver, 120-277V, 50/60Hz; Less Than 20% THD and PF>0.90. Standard Internal Surge Protection 2kV. 0-10V Dimming Standard for a Dimming Range of 100% to 10%; Dimming Source Current is 150 Microamps.

**Warranty:** 5-Year Warranty for -40°C to +50°C Environment.



### Dimensions

<b>Height (A)</b>	36" (915mm)
<b>Height (B)</b>	32½" (824mm)
<b>Base<sup>2</sup> (C)</b>	6" (155mm)
<b>Width (D)</b>	14¼" (362mm)



### Ordering Information:

Model	Optics	Wattage	Driver	CCT	Lens	Color	Options
PB9Q	C		U				
HSB9Q=EasyLED Curve Bollard, Nautical Series	C=Type III	1X12=12w 1X18=18w	U=120-277V	3K=3000K 4K=4000K 5K=5000K	C=Clear UV-Stabilized Polycarbonate Vandal-Resistant Lens	Z=Bronze B=Black C=Custom (Consult Factory)	SF=Single Fuse (120-277V Only) DF=Double Fuse (120-277V Only) SP=Surge Protection GF1=GFCI Outlet, 15A, 120V (Side Mount Only)

**Accessories & Replacement Parts:**



BREBASE\*

\*Shown Mounted



BOADP1

**Mounting Accessories  
(Order Separately, Field Installed)**

BREBASE\* Bollard Retrofit Base Kit Adapts New Bollards to Most Existing Bolt Patterns. Fits all LEPC Bollards. Die Cast with Powdercoat Finish, Hardware Included. 1 1/2" Dia. x 1 1/2" H

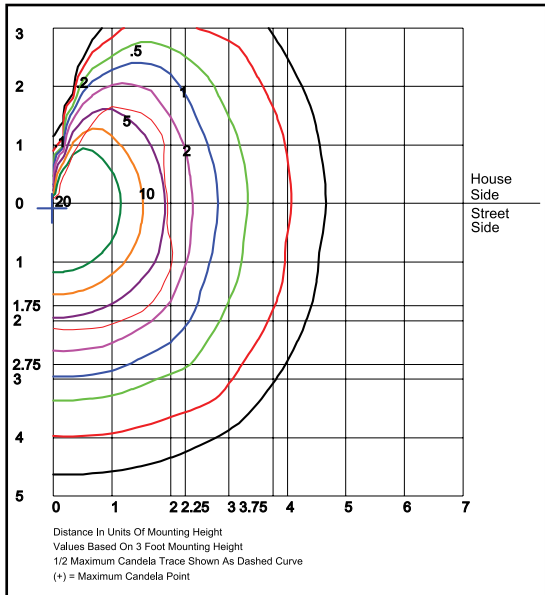
\*Specify Color: Z=Bronze, B=Black, C=Custom (Consult Factory)

**Replacement Parts  
(Order Separately, Field Installed)**

B9LFB Lens Frame, Black Finish

BOADP1 Adapter Plate with Gaskets for Outlet Boxes. Fits LEPC Round Bollards. Die Cast with Bronze Powdercoat Finish.

**Photometric Data**



HSB9QC1X18U5K  
Grid in feet, Mounting Height = 3 ft.

**Photometric Performance**

Wattage (Catalog Logic)		12W (1X12)	18W (1X18)
Input Watts		13.6W	20.4W
Optic	CCT	Delivered Lumens	
Clear Glass	3000K	1,427	2,140
	4000K	1,548	2,322
	5000K	1,612	2,418
	BUG Rating	B1-U0-G1	B1-U0-G1

**Projected Lumen Maintenance**

Data shown for 5000 CCT		Compare to MH				
TM-21-11	Input Watts	Initial	25,000 Hrs	50,000 Hrs	100,000 Hrs	Calculated LED Life
L70 Lumen Maintenance @ 25°C / 77°F	All wattages up to and including 20w	1.00	0.96	0.92	0.85	196,000
L70 Lumen Maintenance @ 50°C / 122°F		1.00	0.90	0.81	0.62	78,000
L80 Lumen Maintenance @ 40°C / 104°F		1.00	0.96	0.85	0.92	126,000

- NOTES:
- Projected per IESNA TM-21-11. Data references the extrapolated performance projections for the 525mA base model in a 25°C ambient, based on 10,000 hours of LED testing per IESNA LM-80-08.
  - Compare to MH box indicates suggested Light Loss Factor (LLF) to be used when comparing to Metal Halide (MH) systems.