

HRK-6A

6" Architectural Downlight

STANDARD



FEATURES

- Available in 3500k (warm/neutral white), 4000k (neutral white), and 5000k (cool white) color temperatures.*
- Long-life LEDs provide at least 70% of initial lumen output (L_{70}) for 54,000 hours of operation.**
- Color rendering index (R_a) > 80.
- Provides 1,700 nominal lumens.
- 18 nominal watts.
- Universal 120-277 AC voltage (50-60Hz) is standard.
- Power factor > 0.90.
- Total harmonic distortion < 20%.
- 0-10VDC dimming is standard.
- Aluminum housing with white baffle trim.
- Easy installation in new construction or retrofit applications. Flexible conduit attaches to junction box.
- Compatible with 6.25" ceiling cut-outs and 6" mounting frames.
- Type IC, inherently protected. Access above ceiling required.
- This device is not intended for use with emergency exits.

WARRANTY & LISTINGS

- cULus listed for wet locations.
- Energy Star certified.
- Compatible for new construction and retrofit applications.
- Complies with FCC Part 15, class A.
- Complies with EN61000-4-5 surge protection (line-neutral, 1kV; line-neutral-ground, 2.5kV).
- Complies with RoHS (Restriction on Hazardous Substances) requirements.
- 5-year warranty of all electronics and housing.

* Contact factory for other color temperatures and lumen packages.
 ** L_{70} hours are IES TM-21-11 calculated hours.

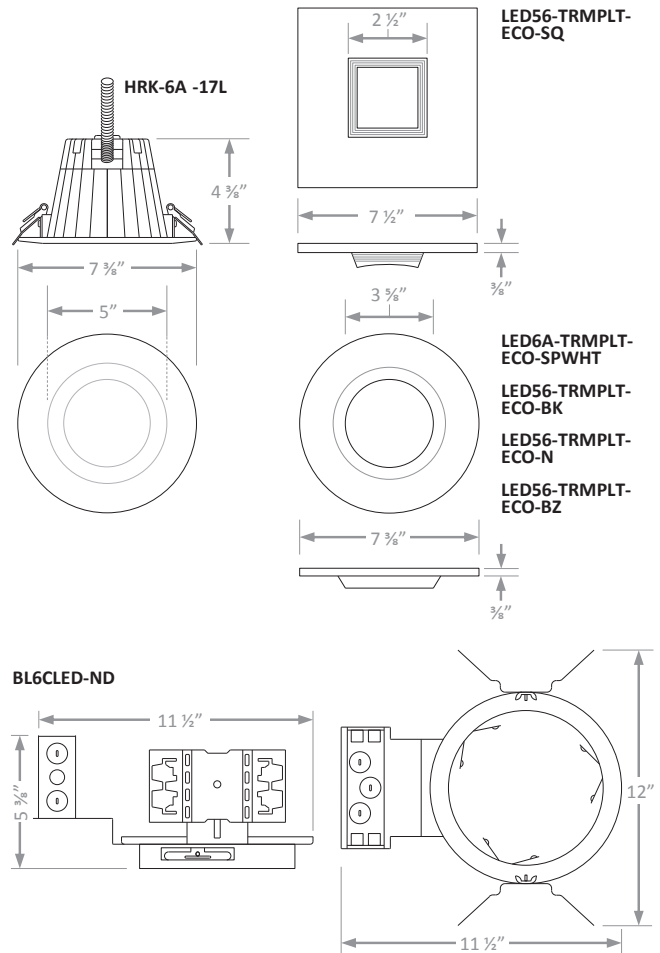
ORDERING INFORMATION

Example: HRK-6A -17L-5K

Series	Lumen Output		Color Temperature		Accessories (Order Separately)	
HRK-6A	17L	1,700	35K	3500k	LED6A-TRMPLT-ECO-SPWHT	Silver & white snap trim
			4K	4000k	LED56-TRMPLT-ECO-N	Silver & nickel snap trim
			5K	5000k	LED56-TRMPLT-ECO-BK	Black snap trim
					LED56-TRMPLT-ECO-BZ	Bronze & mocha snap trim
					LED56-TRMPLT-ECO-SQ	White square snap trim
					BL6CLELED-ND	Mounting frame with j-box



DIMENSIONS



Weight: 1.5 lbs.