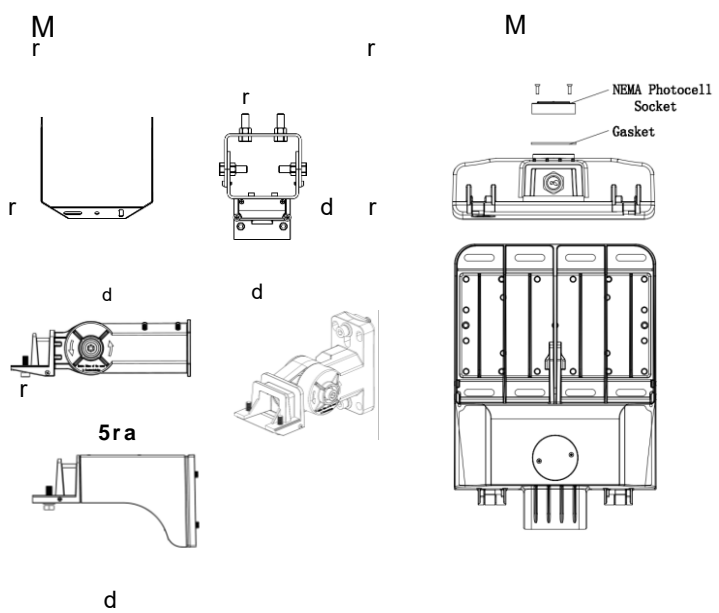


M

M d r

- d
- D r d r r r
- D r r d d r
- r d d r
- r d d r r r d r d
- r r r d r d R
- D r r M d r
- RR d r r
- D R d r r d
- r r r r r r
- r d r r r



RD R RM

r		D r		M R		Mounting Means (One Required - Order Separately)*																																			
M				M r	M		<table border="0"> <tr> <td>M</td> <td></td> <td></td> <td></td> <td>R</td> <td>M</td> <td>r</td> </tr> <tr> <td>M</td> <td></td> <td></td> <td></td> <td>R</td> <td>M</td> <td>r</td> </tr> <tr> <td>r</td> <td>M</td> <td></td> <td></td> <td></td> <td></td> <td>d</td> </tr> <tr> <td>M</td> <td></td> <td>M</td> <td></td> <td>r</td> <td></td> <td></td> </tr> <tr> <td>M</td> <td>d</td> <td>M</td> <td></td> <td></td> <td></td> <td></td> </tr> </table>	M				R	M	r	M				R	M	r	r	M					d	M		M		r			M	d	M			
M				R	M	r																																			
M				R	M	r																																			
r	M					d																																			
M		M		r																																					
M	d	M																																							

*Dole tenons and tenon adapters a jallaVle (see page *)

ELECTRICAL DATA

Series	Measurements	Low Lumens			Mid Lumens			High Lumens		
		3000K	4000K	5000K	3000K	4000K	5000K	3000K	4000K	5000K
HMPAL-24L-LKFS-T3-UNC	Lumens	13,690	14,765	14,335	20,219	22,312	21,049	24,196	26,737	24,925
	Watts	99	96	100	153	149	155	192	183	193
	Efficacy	139	154	143	132	150	135	126	146	129
	Input Current (A)	277V = 0.36A	277V = 0.35A	277V = 0.36A	277V = 0.55A	277V = 0.54A	277V = 0.56A	277V = 0.69A	277V = 0.66A	277V = 0.70A
347V = 0.29A		347V = 0.28A	347V = 0.29A	347V = 0.44A	347V = 0.43A	347V = 0.45A	347V = 0.55A	347V = 0.53A	347V = 0.56A	
480V = 0.21A		480V = 0.20A	480V = 0.21A	480V = 0.32A	480V = 0.31A	480V = 0.32A	480V = 0.40A	480V = 0.38A	480V = 0.40A	
Series	Measurements	Low Lumens			Mid Lumens			High Lumens		
		3000K	4000K	5000K	3000K	4000K	5000K	3000K	4000K	5000K
HMPAL-24L-LKFS-T5-UNC	Lumens	13,916	14,870	14,480	20,405	22,381	21,093	24,505	26,840	25,382
	Watts	98	95	99	152	147	153	192	183	193
	Efficacy	142	157	147	134	153	138	128	147	131
	Input Current (A)	277V = 0.35A	277V = 0.34A	277V = 0.36A	277V = 0.55A	277V = 0.53A	277V = 0.55A	277V = 0.69A	277V = 0.66A	277V = 0.70A
347V = 0.28A		347V = 0.27A	347V = 0.29A	347V = 0.44A	347V = 0.42A	347V = 0.44A	347V = 0.55A	347V = 0.53A	347V = 0.56A	
480V = 0.20A		480V = 0.20A	480V = 0.21A	480V = 0.32A	480V = 0.31A	480V = 0.32A	480V = 0.40A	480V = 0.38A	480V = 0.40A	
Series	Measurements	Low Lumens			Mid Lumens			High Lumens		
		3000K	4000K	5000K	3000K	4000K	5000K	3000K	4000K	5000K
HMPAL-40L-LKFS-T3-UNC	Lumens	28,485	31,402	29,907	33,629	36,449	35,047	39,660	43,432	40,963
	Watts	203	198	202	246	236	246	297	283	296
	Efficacy	140	159	148	137	154	142	133	154	138
	Input Current (A)	277V = 0.73A	277V = 0.71A	277V = 0.73A	277V = 0.89A	277V = 0.85A	277V = 0.89A	277V = 1.07A	277V = 1.02A	277V = 1.07A
347V = 0.59A		347V = 0.57A	347V = 0.58A	347V = 0.71A	347V = 0.68A	347V = 0.71A	347V = 0.86A	347V = 0.82A	347V = 0.85A	
480V = 0.42A		480V = 0.41A	480V = 0.42A	480V = 0.51A	480V = 0.49A	480V = 0.51A	480V = 0.62A	480V = 0.59A	480V = 0.62A	
Series	Measurements	Low Lumens			Mid Lumens			High Lumens		
		3000K	4000K	5000K	3000K	4000K	5000K	3000K	4000K	5000K
HMPAL-40L-LKFS-T5-UNC	Lumens	28,731	31,840	30,214	33,918	36,884	35,413	39,890	44,057	41,651
	Watts	202	197	202	246	235	246	302	283	299
	Efficacy	142	161	150	138	157	144	132	156	139
	Input Current (A)	277V = 0.73A	277V = 0.71A	277V = 0.73A	277V = 0.89A	277V = 0.85A	277V = 0.89A	277V = 1.09A	277V = 1.02A	277V = 1.08A
347V = 0.58A		347V = 0.57A	347V = 0.58A	347V = 0.71A	347V = 0.68A	347V = 0.71A	347V = 0.87A	347V = 0.82A	347V = 0.86A	
480V = 0.42A		480V = 0.41A	480V = 0.42A	480V = 0.51A	480V = 0.49A	480V = 0.51A	480V = 0.63A	480V = 0.59A	480V = 0.62A	

PHOTOMETRIC DATA

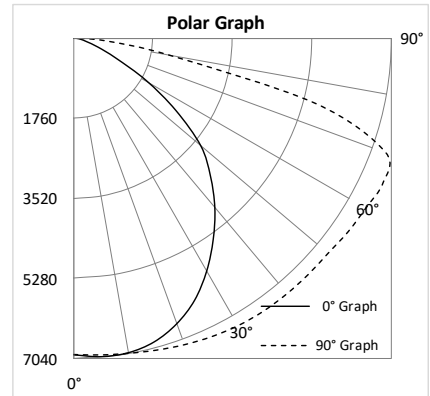
HMPAL-24L-LKFS-T3

Luminaire Data

Description	Multi Purpose Area Light PRO - LKFS 24L 5K T3
Total Lumens	24,601
Input Wattage	187
Efficacy (lm/W)	131
Max. Cd.	7588.58 (90H, 67V)
IES Classification	Type III
Longitudinal Classification	Medium

Luminaire Classification Systems (LCS)

LCS Zone	Lumens	%Lum
FL	0-30	2,904 11.8%
FM	30-60	6,494 26.4%
FH	60-80	3,240 13.2%
FVH	80-90	323 1.3%
BL	0-30	2,684 10.9%
BM	30-60	5,794 23.6%
BH	60-80	2,933 11.9%
BVH	80-90	229 0.9%
UL	90-100	0 0.0%
UH	100-180	0 0.0%
Total	24,601	100.0%
BUG Rating	B4-U0-G4	



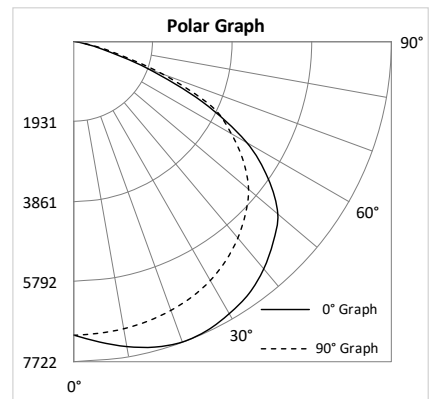
HMPAL-24L-LKFS-T5

Luminaire Data

Description	Multi Purpose Area Light PRO - LKFS 24L 5K T5
Total Lumens	25,157
Input Wattage	187
Efficacy (lm/W)	135
Max. Cd.	7742.22 (337.5H, 22V)
IES Classification	Type VS
Longitudinal Classification	Very Short

Luminaire Classification Systems (LCS)

LCS Zone	Lumens	%Lum
FL	0-30	3,101 12.3%
FM	30-60	7,290 29.0%
FH	60-80	2,486 9.9%
FVH	80-90	42 0.2%
BL	0-30	2,784 11.1%
BM	30-60	6,505 25.9%
BH	60-80	2,884 11.5%
BVH	80-90	66 0.3%
UL	90-100	0 0.0%
UH	100-180	0 0.0%
Total	25,157	100.0%
BUG Rating	B4-U0-G2	



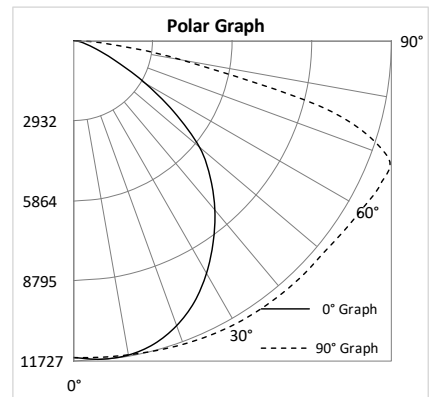
HMPAL-40L-LKFS-T3

Luminaire Data

Description	Multi Purpose Area Light PRO - LKFS 40L 5K T3
Total Lumens	41,239
Input Wattage	302
Efficacy (lm/W)	136
Max. Cd.	12840.24 (270H, 67V)
IES Classification	Type III
Longitudinal Classification	Medium

Luminaire Classification Systems (LCS)

LCS Zone	Lumens	%Lum
FL	0-30	4,831 11.7%
FM	30-60	10,848 26.3%
FH	60-80	5,398 13.1%
FVH	80-90	483 1.2%
BL	0-30	4,488 10.9%
BM	30-60	9,786 23.7%
BH	60-80	5,010 12.1%
BVH	80-90	394 1.0%
UL	90-100	0 0.0%
UH	100-180	0 0.0%
Total	41,239	100.0%
BUG Rating	B5-U0-G5	



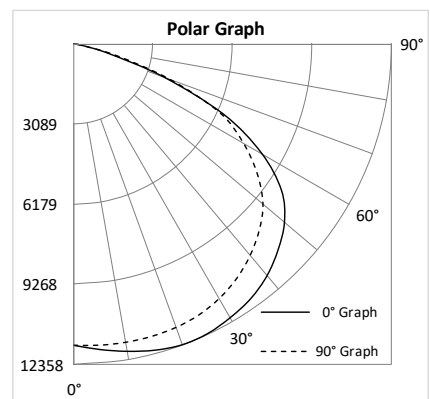
HMPAL-40L-LKFS-T5

Luminaire Data

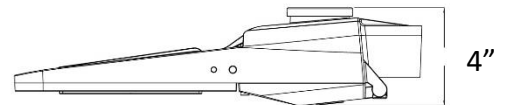
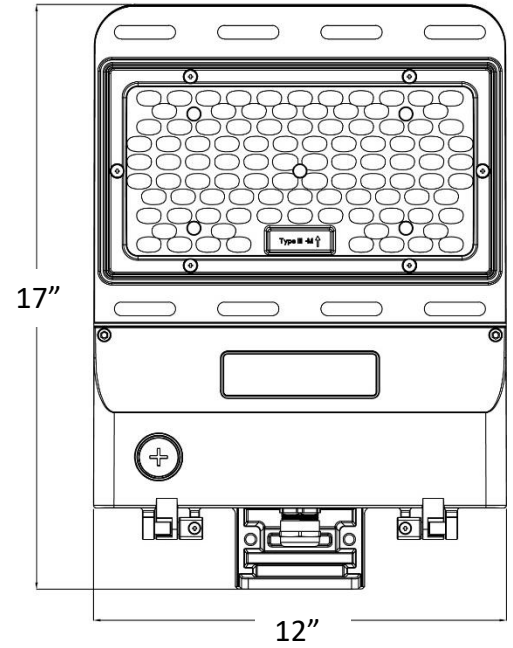
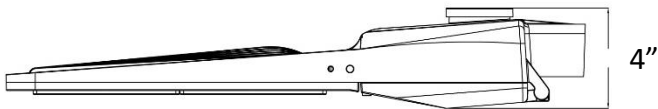
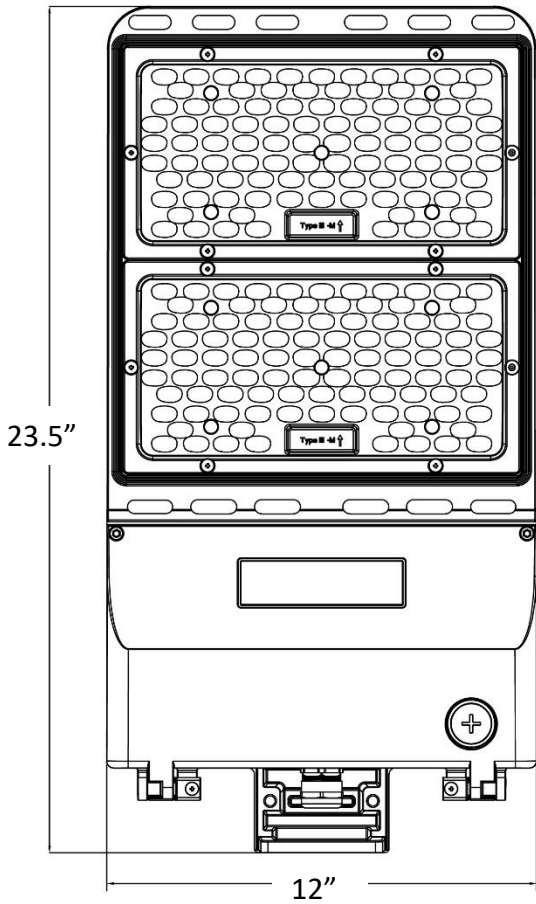
Description	Multi Purpose Area Light PRO - LKFS 40L 5K T5
Total Lumens	41,980
Input Wattage	302
Efficacy (lm/W)	139
Max. Cd.	12368.81 (360H, 22V)
IES Classification	Type VS
Longitudinal Classification	Very Short

Luminaire Classification Systems (LCS)

LCS Zone	Lumens	%Lum
FL	0-30	5,024 12.0%
FM	30-60	12,076 28.8%
FH	60-80	4,397 10.5%
FVH	80-90	79 0.2%
BL	0-30	4,671 11.1%
BM	30-60	11,064 26.4%
BH	60-80	4,581 10.9%
BVH	80-90	89 0.2%
UL	90-100	0 0.0%
UH	100-180	0 0.0%
Total	41,980	100.0%
BUG Rating	B5-U0-G2	



DIMENSIONS



EFFECTIVE PROJECTED AREAS (EPA's)

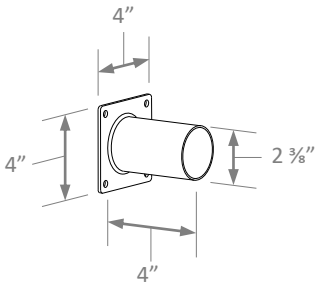
24L

Front = 1.4 square feet
Side = 0.5 square feet
Face = 0.3 square feet

40L

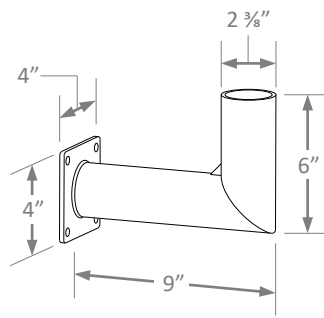
Front = 2.0 square feet
Side = 0.7 square feet
Face = 0.3 square feet

MOUNTING ACCESSORIES



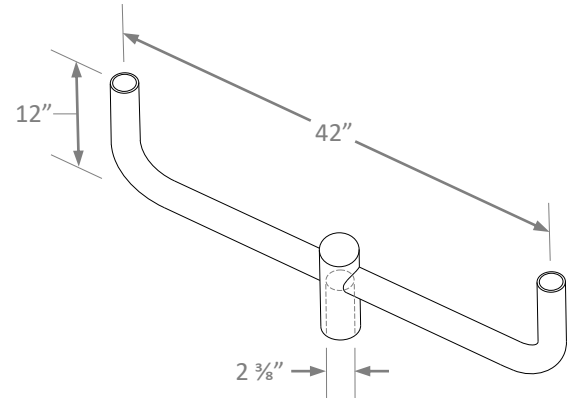
Wall Mount Bracket

LEDMPALPRO-WMB



Wall Mount Bracket, 90°

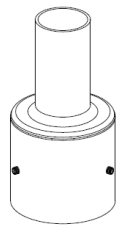
LEDMPALPRO-WMB90



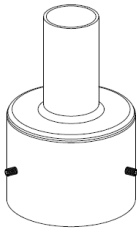
Double 180° Bullhorn Mounting Bracket

LEDMPALPRO-D180BH

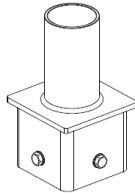
Bullhorn requires slip-fitter mount



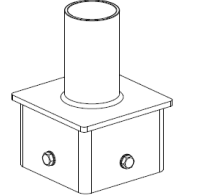
4SQR-SP-D



5SQR-SP-D

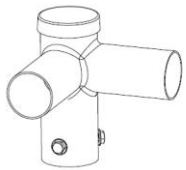


4SQ-SP-D

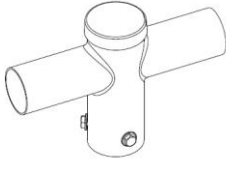


5SQ-SP-D

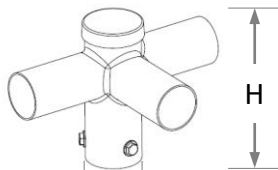
L



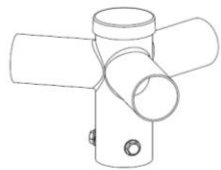
R60-SP2-90-D



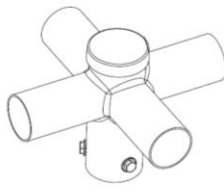
R60-SP2-180-D



R60-SP3-90-D



R60-SP3-120-D



R60-SP4-90-D

Part Number	Description	L	W	H
4SQR-SP-D	4" round pole tenon	-	4.2"	8.6"
5SQR-SP-D	5" round pole tenon	-	5.2"	8.6"
4SQ-SP-D	4" square pole tenon	3.6"	3.6"	7.2"
5SQ-SP-D	5" square pole tenon	4.6"	4.6"	7.2"
R60-SP2-90-D	Tenon adapter 90° double	-	ID 2.5"	7.3"
R60-SP2-180-D	Tenon adapter 180° double	-	ID 2.5"	7.3"
R60-SP3-90-D	Tenon adapter 90° triple	-	ID 2.5"	7.3"
R60-SP3-120-D	Tenon adapter 120° triple	-	ID 2.5"	7.3"
R60-SP4-90-D	Tenon adapter 90° quadruple	-	ID 2.5"	7.3"