

HMPAL-KFS

Multi-Purpose Area Luminaires Kelvin Field Selectable

FEATURES

- Field selectable 3500k (warm/neutral white), 4000k (neutral white) and 5000k (cool white) color temperatures.*
- Long-life LEDs provide up to 149,000 hours of operation with at least 70% of initial lumen output (L₇₀).**
- Available models provide from 2,000 to 7,200 lumens, and from 125 to 156 lumens per watt (LPW).*
- Standard optic provides an IES roadway type V distribution, or a 7V (vertical) x 7H (horizontal) NEMA floodlight distribution.
- Universal 120-277 AC voltage (50-60Hz) is standard.
- 0-10vdc dimming drivers are standard.
- Power factor > 90.
- Total harmonic distortion < 20%.
- Color rendering index > 80.
- Die cast aluminum housing with durable, dark bronze powder coat finish.
- Polycarbonate lens.
- Wireway enclosure is sealed with a water-tight, silicon rubber gasket.
- Easy installation in new construction or retrofit applications.

* Contact factory for other color temperatures and lumen packages.

** L70 hours are IES TM-21-11 calculated hours.

MOUNTING OPTIONS & ACCESSORIES

- Standard aluminum die-cast knuckle-mount for junction box installation.
- Yoke-mount option provides secure attachment to flat surfaces, 4L & 7L only, sold separately.
- Line voltage ground stake allows for easy installation for landscape illumination, sold separately.



WARRANTY & LISTINGS

- cULus listed for wet locations in ambient temperatures from -40°C to 50°C (-40°F to 122°F).
- IP65 rated for ingress protection.
- DLC premium approved.
- Lens is IK 10 rated for protection from external impacts.
- Salt fog tested for 1,000 hours (ASTM B117). After salt fog testing, paint rated at 7 per ASTM D1654-05 scratch test.
- Complies with FCC Part 15, class A.
- Complies with EN61000-4-5, surge immunity protection (4kV).
- 5-year warranty of all electronics and housing.

STANDARD



ORDERING INFORMATION

Example: HMPAL-4L-LKFS

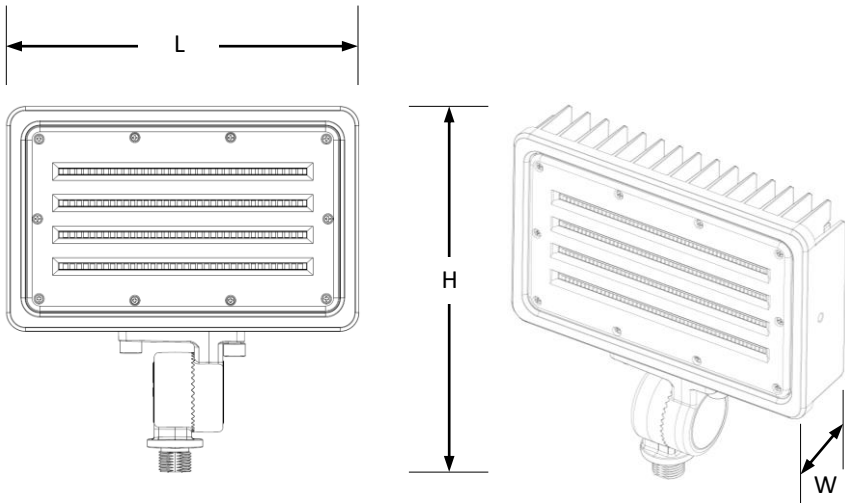
Series	Nominal Lumen Output		Color Temperature		Mounting Accessories (Order Separately)	
	2L	4L	KFS*	3500k	MPAL-KFS-YKL	Yoke mount, 4L & 7L
HMPAL	2L	2000 lumens	KFS*	3500k	MPOST17	Line voltage ground stake
	4L	4000 lumens		4000k		
	7L	7000 lumens		5000k		

* Field selectable kelvin temperatures.

ELECTRICAL DATA

Series	Measurements	MPAL-2L			MPAL-4L			MPAL-7L		
		3500K	4000K	5000K	3500K	4000K	5000K	3500K	4000K	5000K
HMPAL-KFS	Lumens	2002	2179	2085	4436	4696	4526	6601	7170	6884
	Watts	16	15	16	31	30	31	52	49	51
	Efficacy	125	145	132	142	156	145	126	147	134
		120V = 0.13A	120V = 0.13A	120V = 0.13A	120V = 0.26A	120V = 0.25A	120V = 0.26A	120V = 0.43A	120V = 0.41A	120V = 0.43A

DIMENSIONS



EFFECTIVE PROJECTED AREAS (EPA's)

2L

Front = 0.17 s.f.
 Side = 0.07 s.f.
 Face = 0.05 s.f.

4L & 7L

Front = 0.54 s.f. (knuckle) / 0.44 s.f. (yoke)
 Side = 0.12 s.f. (knuckle) / 0.09 s.f. (yoke)
 Face = 0.11 s.f. (knuckle) / 0.12 s.f. (yoke)

Model	Length (L)	Width (W)	Depth (H)	Weight
2L	4.3"	1.7"	5.8"	3 lbs.
4L	8.7"	1.9"	9"	8 lbs.
7L	8.7"	1.9"	9"	8 lbs.

PHOTOMETRIC DATA

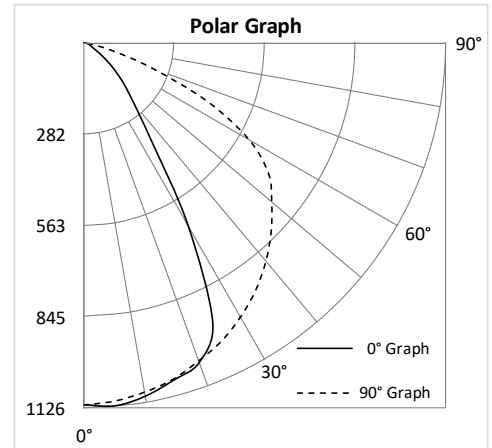
HMPAL-2L-KFS

Luminaire Data

Description	Multi Purpose Area Light 2L - KFS
Total Lumens	2,002
Input Wattage	16
Efficacy (lm/W)	126
Max. Cd.	1131.47 (337.5H, 6V)
IES Classification	Type I
Longitudinal Classification	Very Short

Luminaire Classification Systems (LCS)

LCS Zone	Lumens	%Lum	
FL	0-30	438	21.9%
FM	30-60	488	24.4%
FH	60-80	74	3.7%
FVH	80-90	3	0.2%
BL	0-30	434	21.7%
BM	30-60	491	24.5%
BH	60-80	71	3.6%
BVH	80-90	3	0.1%
UL	90-100	0	0.0%
UH	100-180	0	0.0%
Total		2,002	100.0%



BUG Rating

B1-U0-G0

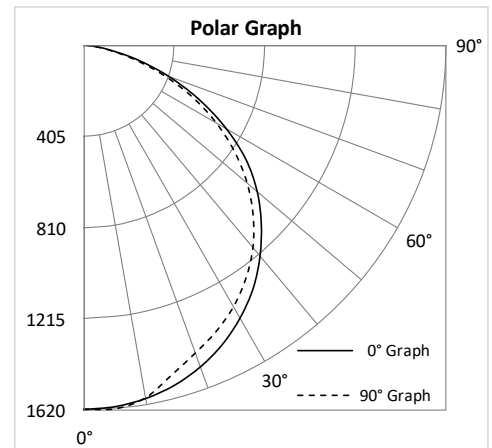
HMPAL-4L-KFS

Luminaire Data

Description	Multi Purpose Area Light 4L - KFS
Total Lumens	4,436
Input Wattage	31
Efficacy (lm/W)	142
Max. Cd.	1625.57 (112.5H, 5V)
IES Classification	Type VS
Longitudinal Classification	Very Short

Luminaire Classification Systems (LCS)

LCS Zone	Lumens	%Lum	
FL	0-30	625	14.1%
FM	30-60	1,190	26.8%
FH	60-80	372	8.4%
FVH	80-90	16	0.4%
BL	0-30	629	14.2%
BM	30-60	1,205	27.2%
BH	60-80	383	8.6%
BVH	80-90	16	0.4%
UL	90-100	0	0.0%
UH	100-180	0	0.0%
Total		4,436	99.9%



BUG Rating

B2-U0-G1

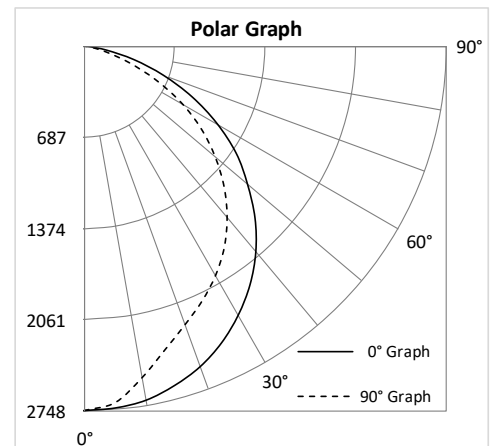
HMPAL-7L-KFS

Luminaire Data

Description	Multi Purpose Area Light 7L - KFS
Total Lumens	6,601
Input Wattage	52
Efficacy (lm/W)	126
Max. Cd.	2750.84 (157.5H, 1V)
IES Classification	Type VS
Longitudinal Classification	Very Short

Luminaire Classification Systems (LCS)

LCS Zone	Lumens	%Lum	
FL	0-30	989	15.0%
FM	30-60	1,783	27.0%
FH	60-80	519	7.9%
FVH	80-90	21	0.3%
BL	0-30	987	15.0%
BM	30-60	1,774	26.9%
BH	60-80	510	7.7%
BVH	80-90	19	0.3%
UL	90-100	0	0.0%
UH	100-180	0	0.0%
Total		6,601	100.0%



BUG Rating

B2-U0-G1